

Copperhead

- Rugged, corrosion resistant brass construction is ideal for use in refineries, chemical plants, off shore installations and for shipboard use
- Specific industrial reliability/maintenance-free features of the Copperhead IV include:
 - Sealed grease bearings with a built-in, one way, pressure release
 - Enclosed, stainless steel locking mechanism
 - Environmentally-sealed valve actuator
- Efficient design creates the most cost effective brass monitor in its flow class
- Low friction loss due to 3³/₈" patented vaned elliptical waterway
- Small footprint — less than 15" wide and requires just 16" of clearance — makes it ideal for tight spaces



All surfaces sealed against moisture, sand, and particle penetration

Utilizes Unibody Valve technology with a stainless steel, quarter-turn, full-flow ball

Continuous 360° rotation

Single bolt change-out rotates valve handle position in 45° increments

200
PSI

1250
GPM

FM

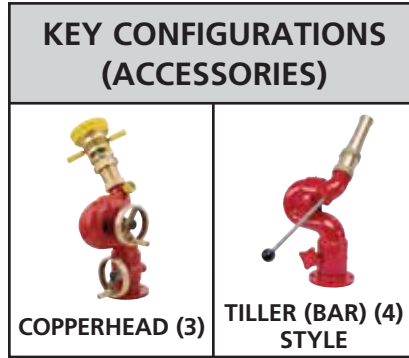
APPROVED

CE

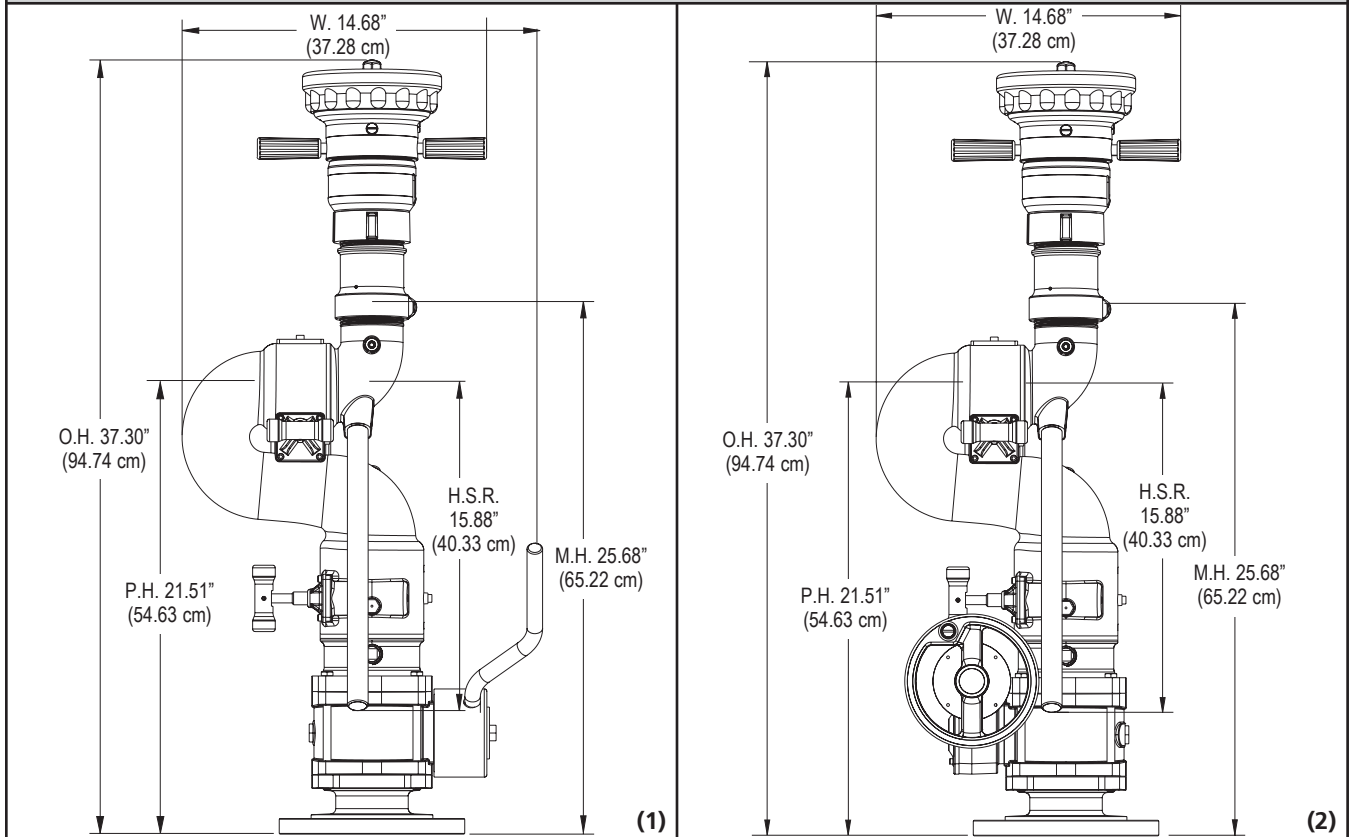


COPPERHEAD

SPECIFICATIONS			
Max. GPM (LPM)	1250 (4732)		
Inlets	4"	Types	
		150# ANSI Flange	
	3"	150# ANSI Flange	NPT (F)
Outlet	2.5" NHT		
Controls	Tiller		
	Dual hand-wheel – rotating base		
	Dual hand-wheel – fixed base		
Material/Finish	Brass with red urethane enamel		
Friction Loss Copperhead	16 psi at 1250 gpm		
	12 psi at 1000 gpm		
Friction Loss Copperhead IV	21 psi at 1250 gpm		
	16 psi at 1000 gpm		
Travel	V -45° to +90° (135°)		
	V -49° to +86° (135°)		
	H 360° (continuous)		
Weight	Variable (see chart for specifics)		
Ratings and Certifications	CE, FM Approved		

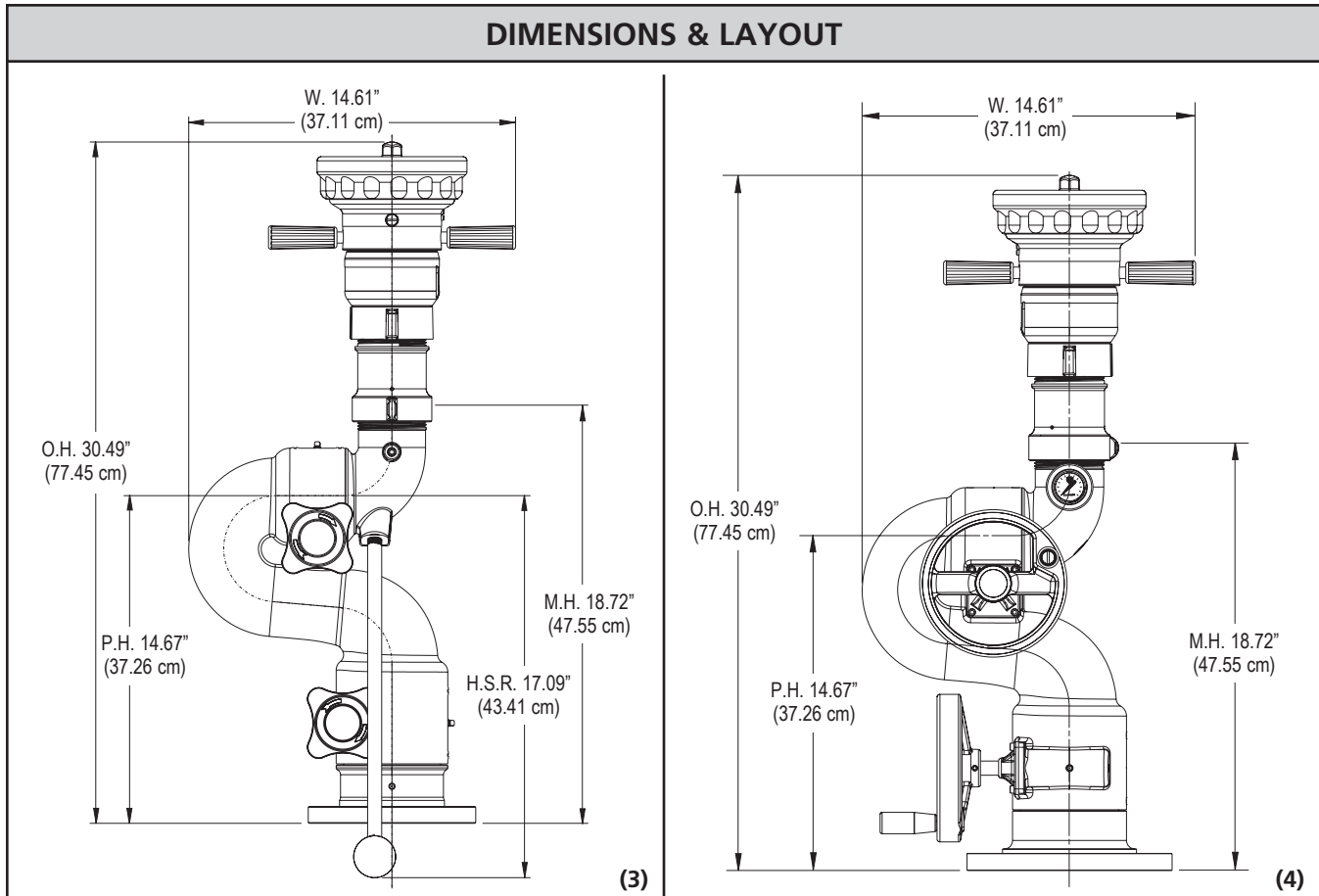


DIMENSIONS & LAYOUT



ADDITIONAL INFORMATION

- Weights are approximate and will vary by selected inlet.
- Marine Brass (85-5-5-5) construction is available on the Copperhead. Please inquire with our sales staff.
- Technical Data on monitor performance may be found on page T-11.
- LA style handles available on the Copperhead. Please inquire with our sales staff.



Copperhead Selector Guide

INLET SIZES / TYPES			OUTLET SIZE	CONTROLS				VERTICAL TRAVEL		INTEGRAL COMPONENTS		CERTIFICATION			MODEL
NPT	150# ANSI Flange			Fixed Base (68 Lbs.)	Rotating Base (68 Lbs.)	Copperhead Bar (58 Lbs.)	Copperhead IV Bar (87 Lbs.)	-45 to +90° (135°)	-49 to +86° (135°)	3" Ball Valve		Pressure Gauge	CE	FM Approved	
3"	3"	4"	Hand-wheel							Tiller	Illustration				
o	s	o	•			s	o	•			o	•	•	3,4	8593-02
o	s	o	•		s			•			o	•	•	3,6	8593-03/ 294-11rev.06
o	s	o	•	s				•			o	•	•	3,5	8593-03X/ 294-11rev.06x
		s	•			s			•	o	s	o		1,2	8593IV
				3,5	3,6	4	1			2	1				Illustration

KEY s = standard o = option

Components & Options Chart

COMPONENTS & OPTIONS	ILLUSTRATION	MODEL
Companion Flange Kits	3" 150# ANSI steel flange with bolts and gaskets	81315001
	4" 150# ANSI steel flange with bolts and gaskets	81317001



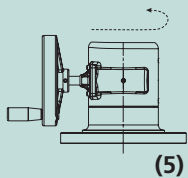
COPPERHEAD

Recommended Products

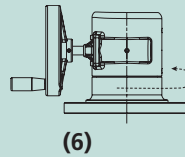
SM-1000HF – SELF-EDUCTING  <i>Page 6-16</i>	SM-1250B – X-STREAM®  <i>Page 6-7</i>	CSW-LB – SELECT-O-FLOW®  <i>Page 6-13</i>	181 – DELUGE TIP  <i>Page 1-29</i>	
282B – STREAM SHAPER  <i>Page 1-27</i>	84 – BUTTERFLY WAFFER VALVE  <i>Page 5-59</i>	296 – HYDRANT BASE  <i>Page 5-59</i>	CJB – SELECT-O-STREAM®  <i>Page 6-12</i>	IMS – SELECT-O-STREAM®  <i>Page 6-12</i>

PRODUCT HIGHLIGHTS

In addition to offering the only brass dual hand-wheel monitor of this size on the market, Elkhart's Copperhead monitor boasts a choice of base configurations:



- *The fixed base dual hand-wheel control allows the operator to remain in a stationary position while manipulating the horizontal movement of the monitor. The fixed nature of the horizontal control can be especially beneficial when operating space is limited.*



- *When using the rotating base dual hand-wheel control, the operator moves in tandem with the monitor while managing the monitor's horizontal travel. The rotating base allows the operator to maintain visual contact with the monitor's stream direction.*

In most industrial settings where the traditional- 294-11 is currently used, the Copperhead would be an appropriate replacement. The Copperhead offers a choice of control styles as well as higher flow capacity.