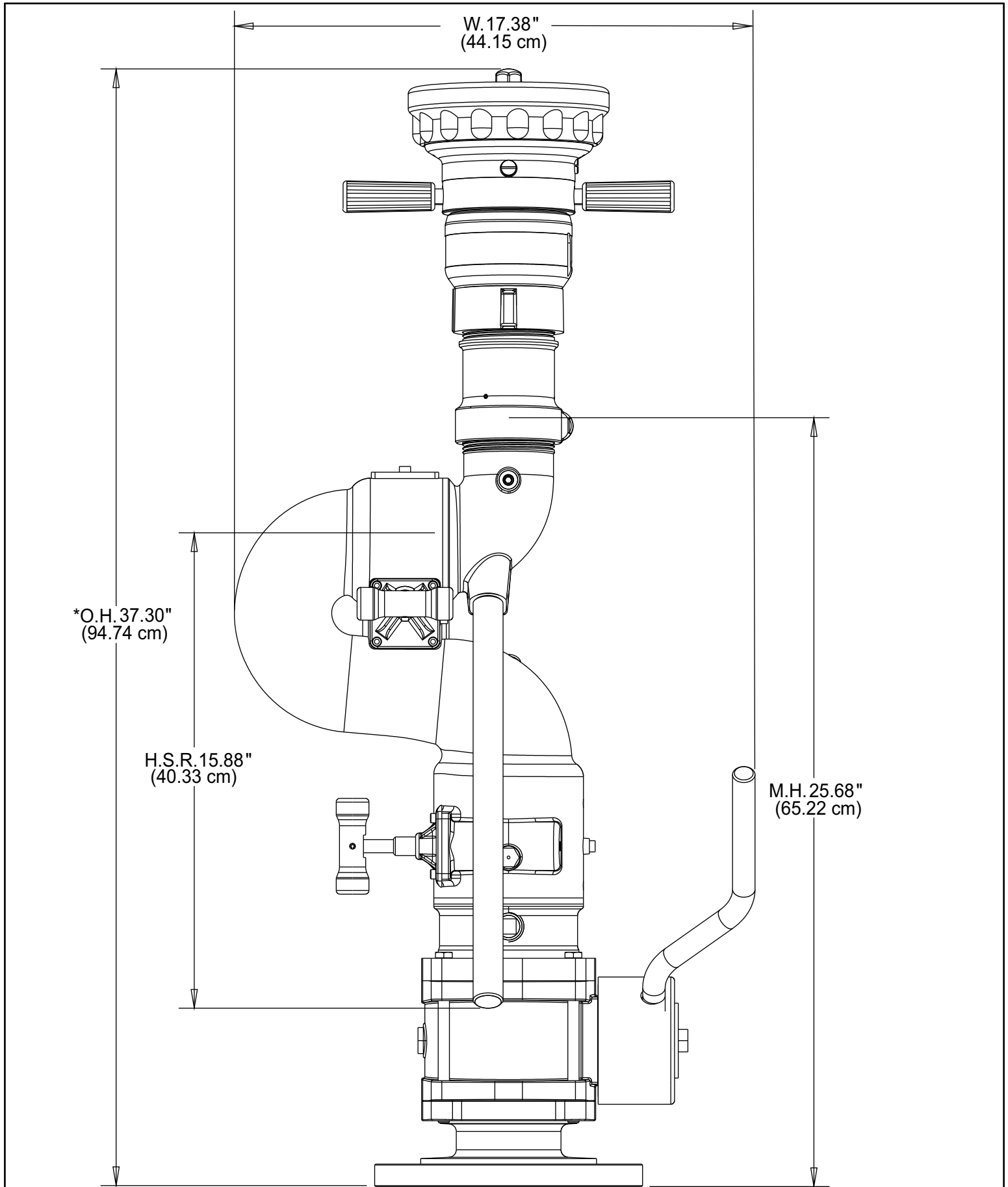
	ELKHART BRASS MFG. CO., INC. ELKHART, INDIANA	
	<small>THIS DRAWING CONTAINS INFORMATION THAT IS PROPRIETARY TO ELKHART BRASS MFG. CO., INC. AND MAY NOT BE USED TO PRODUCE ANY PARTS, ASSEMBLIES OR PRODUCTS DESCRIBED HEREIN WITHOUT EXPRESS WRITTEN PERMISSION.</small>	
COPPERHEAD 8593-IV PAGE 1 OF 5 12/2008	BASE DIMENSIONAL	



W. 17.38"
(44.15 cm)

*O.H. 37.30"
(94.74 cm)

H.S.R. 15.88"
(40.33 cm)

M.H. 25.68"
(65.22 cm)

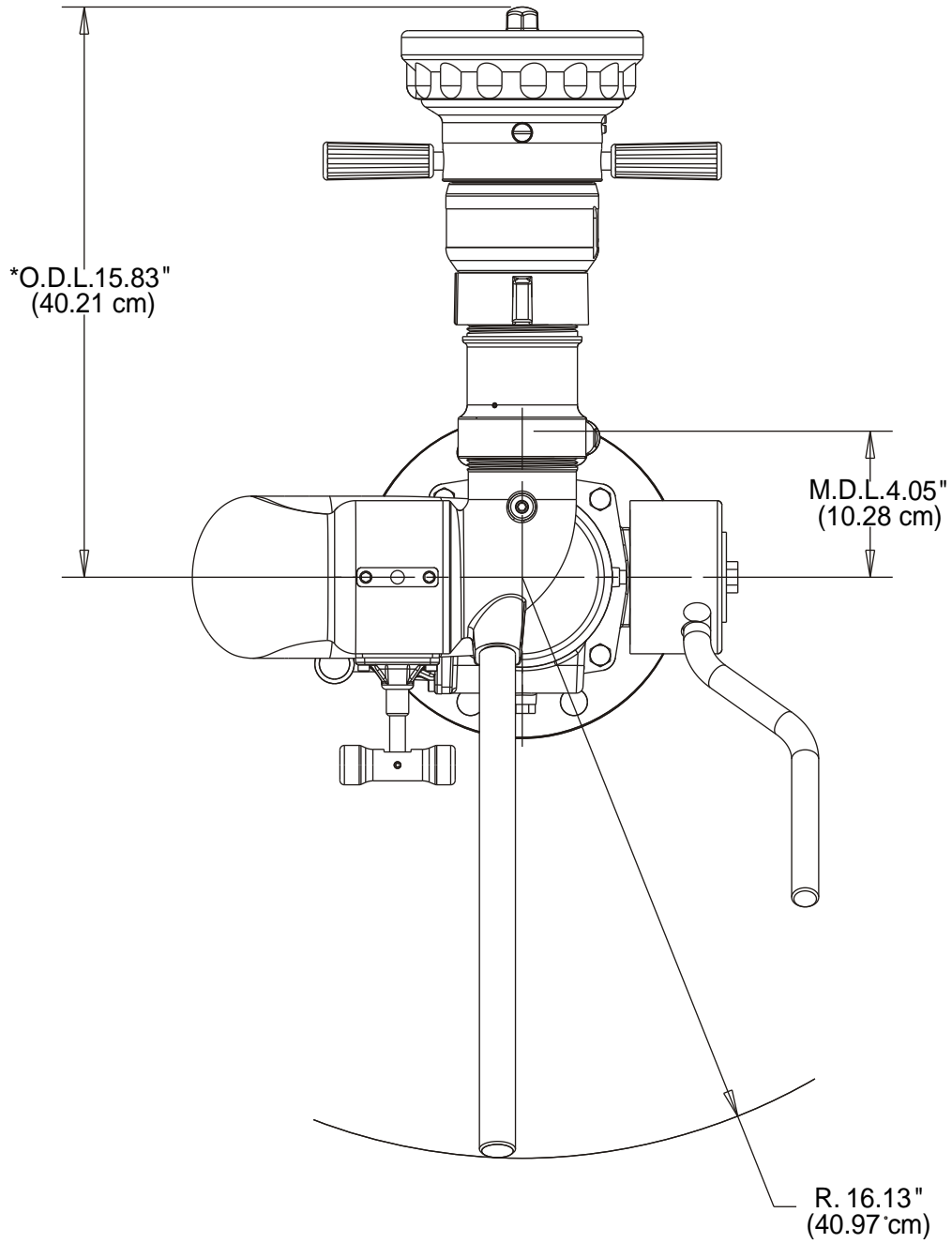
*TYPICAL - SEE INDIVIDUAL NOZZLE DRAWINGS

 ELKHART BRASS MFG. CO., INC.
ELKHART, INDIANA


THIS DRAWING CONTAINS INFORMATION THAT IS PROPRIETARY TO ELKHART BRASS MFG. CO., INC. AND MAY NOT BE USED TO PRODUCE ANY PARTS, ASSEMBLIES OR PRODUCTS DESCRIBED HEREIN WITHOUT EXPRESS WRITTEN PERMISSION.

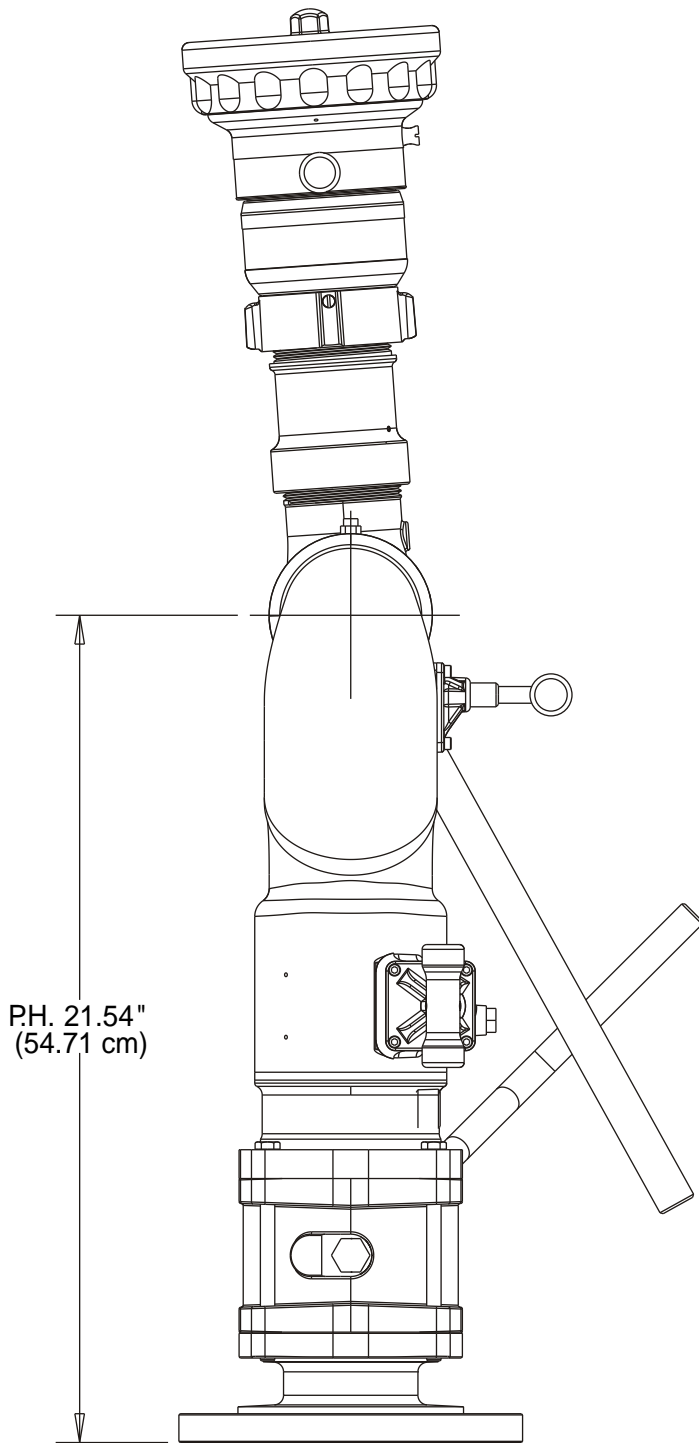
COPPERHEAD 8593-IV
PAGE 2 OF 5
12/2007

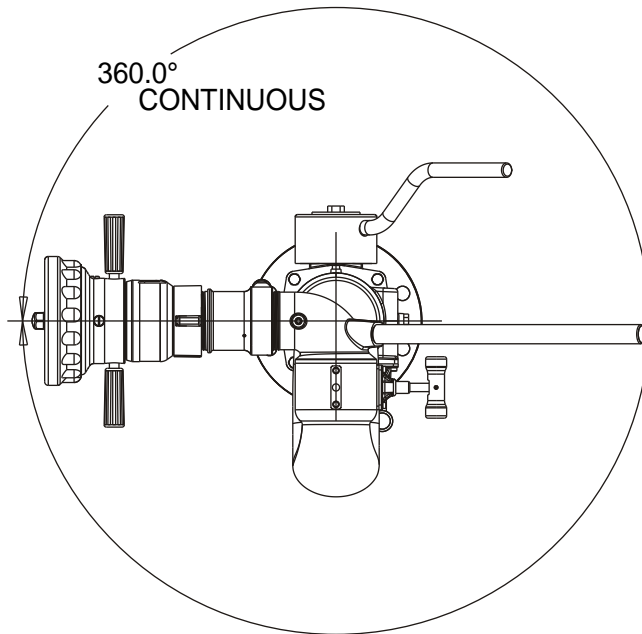
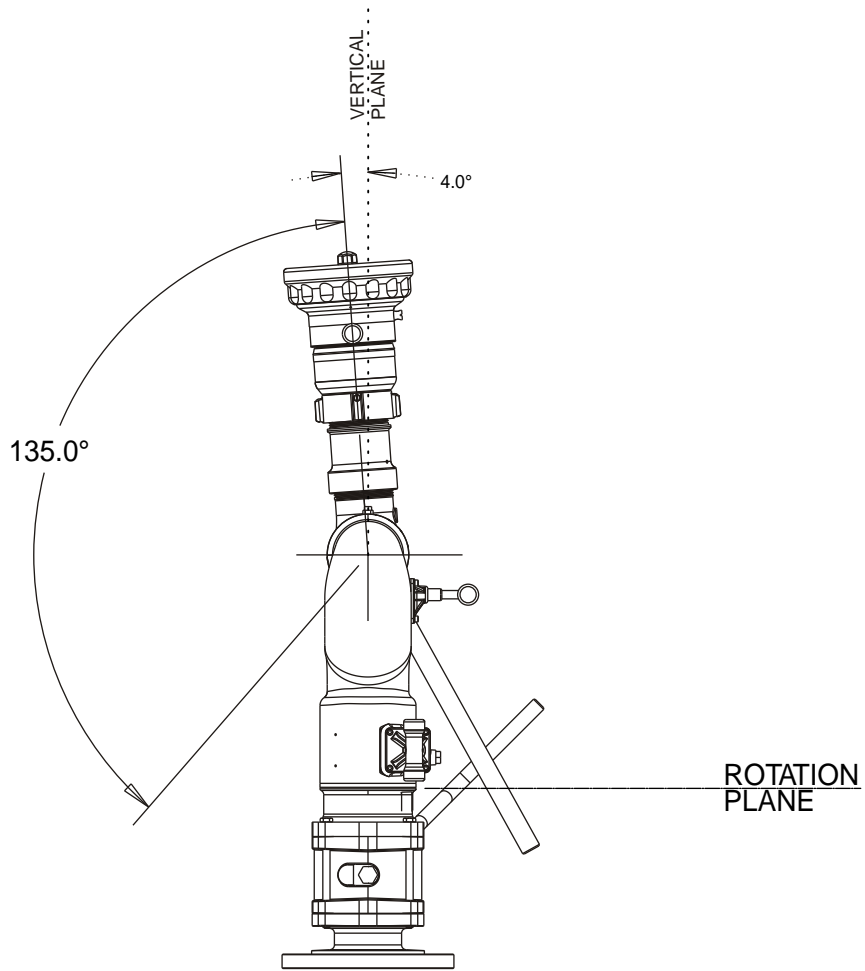
BACK VIEW
DIMENSIONAL

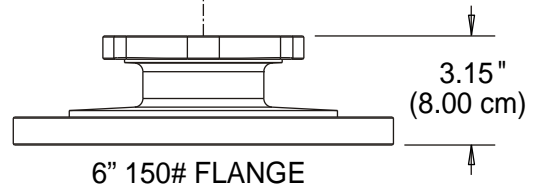
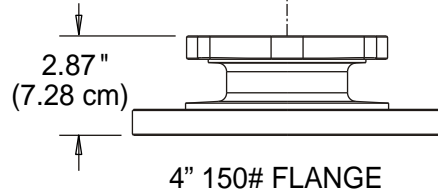
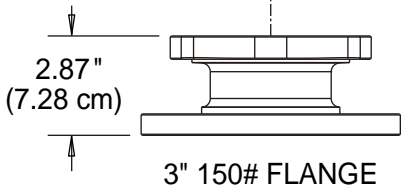
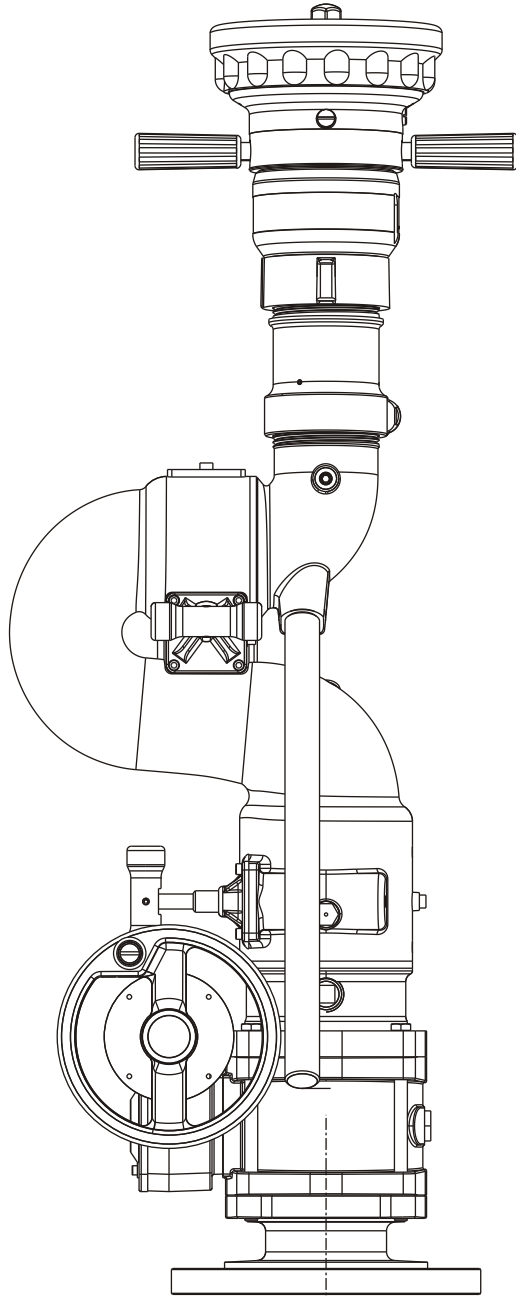


*TYPICAL - SEE INDIVIDUAL NOZZLE DRAWINGS

	ELKHART BRASS MFG. CO., INC. ELKHART, INDIANA	
	<small>THIS DRAWING CONTAINS INFORMATION THAT IS PROPRIETARY TO ELKHART BRASS MFG. CO., INC. AND MAY NOT BE USED TO PRODUCE ANY PARTS, ASSEMBLIES OR PRODUCTS DESCRIBED HEREIN WITHOUT EXPRESS WRITTEN PERMISSION.</small>	
COPPERHEAD 8593-IV PAGE 3 OF 5 12/2008	TOP VIEW DIMENSIONAL	





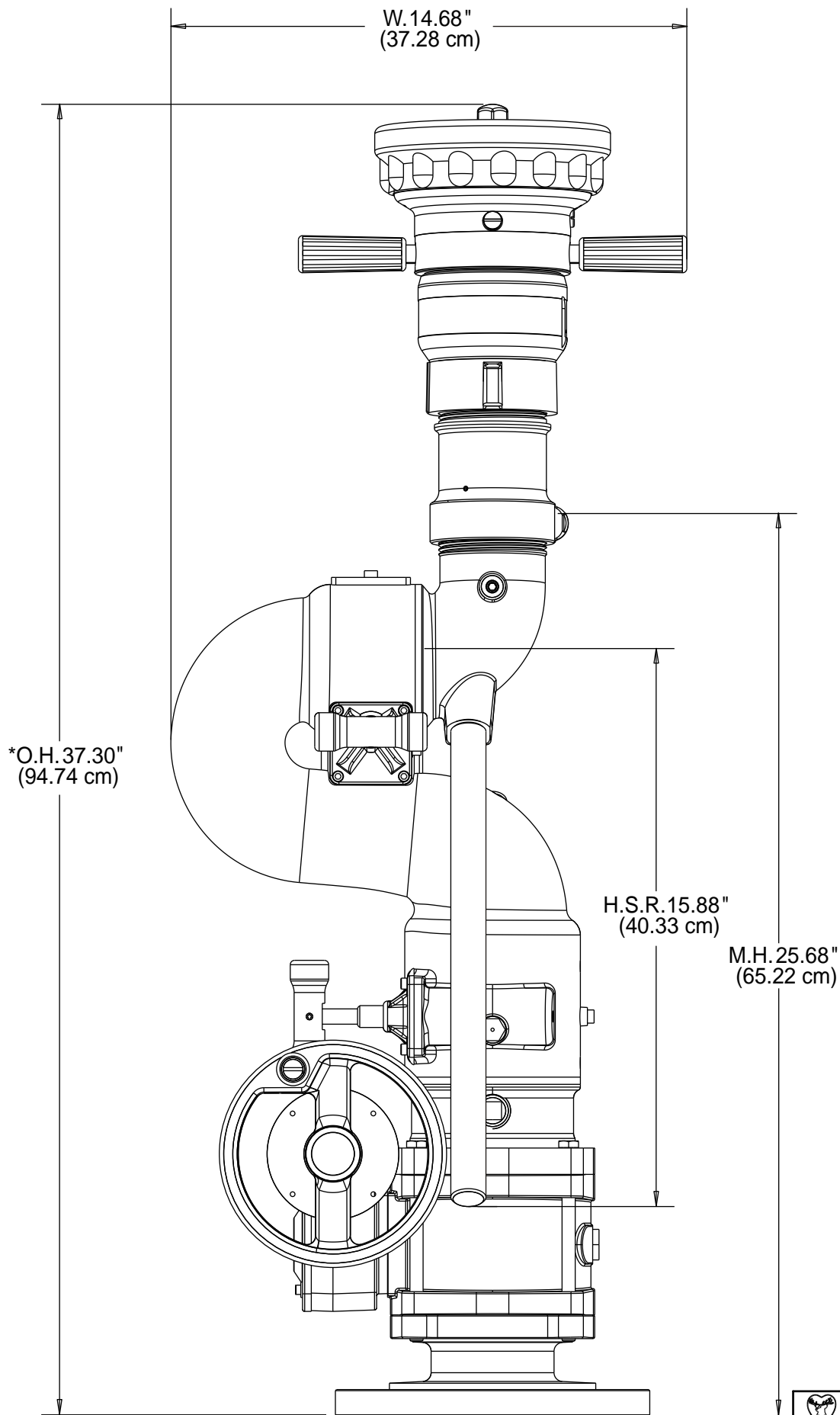


ELKHART BRASS MFG. CO., INC.
ELKHART, INDIANA

THIS DRAWING CONTAINS INFORMATION THAT IS
PROPRIETARY TO ELKHART BRASS MFG. CO., INC.
AND MAY NOT BE USED TO PRODUCE ANY PARTS,
ASSEMBLIES OR PRODUCTS DESCRIBED HEREIN
WITHOUT EXPRESS WRITTEN PERMISSION.

COPPERHEAD 8593-IV
PAGE 1 OF 5
12/2008

BASE
DIMENSIONAL



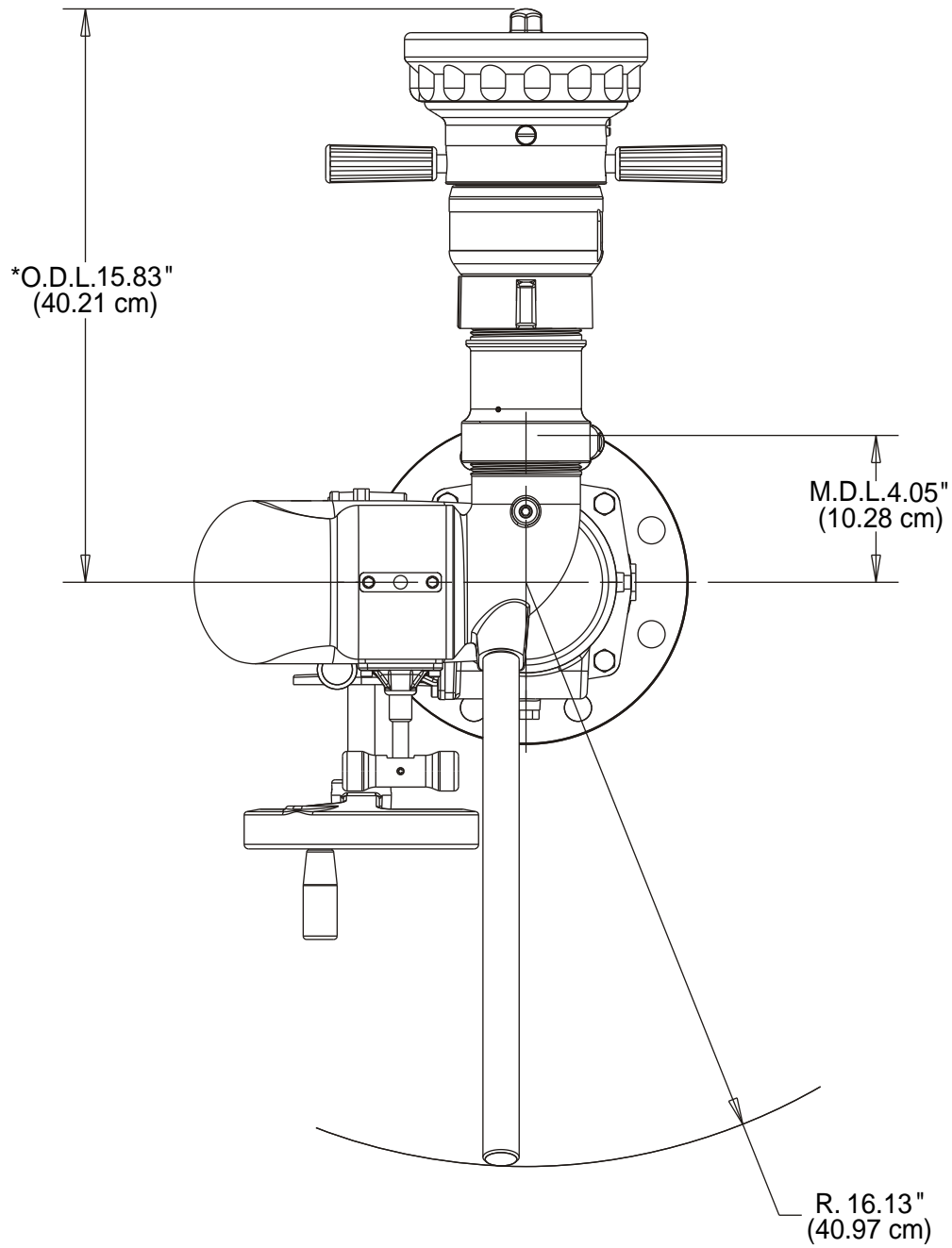
*TYPICAL - SEE INDIVIDUAL NOZZLE DRAWINGS

 ELKHART BRASS MFG. CO., INC.
ELKHART, INDIANA


THIS DRAWING CONTAINS INFORMATION THAT IS PROPRIETARY TO ELKHART BRASS MFG. CO., INC. AND MAY NOT BE USED TO PRODUCE ANY PARTS, ASSEMBLIES OR PRODUCTS DESCRIBED HEREIN WITHOUT EXPRESS WRITTEN PERMISSION.

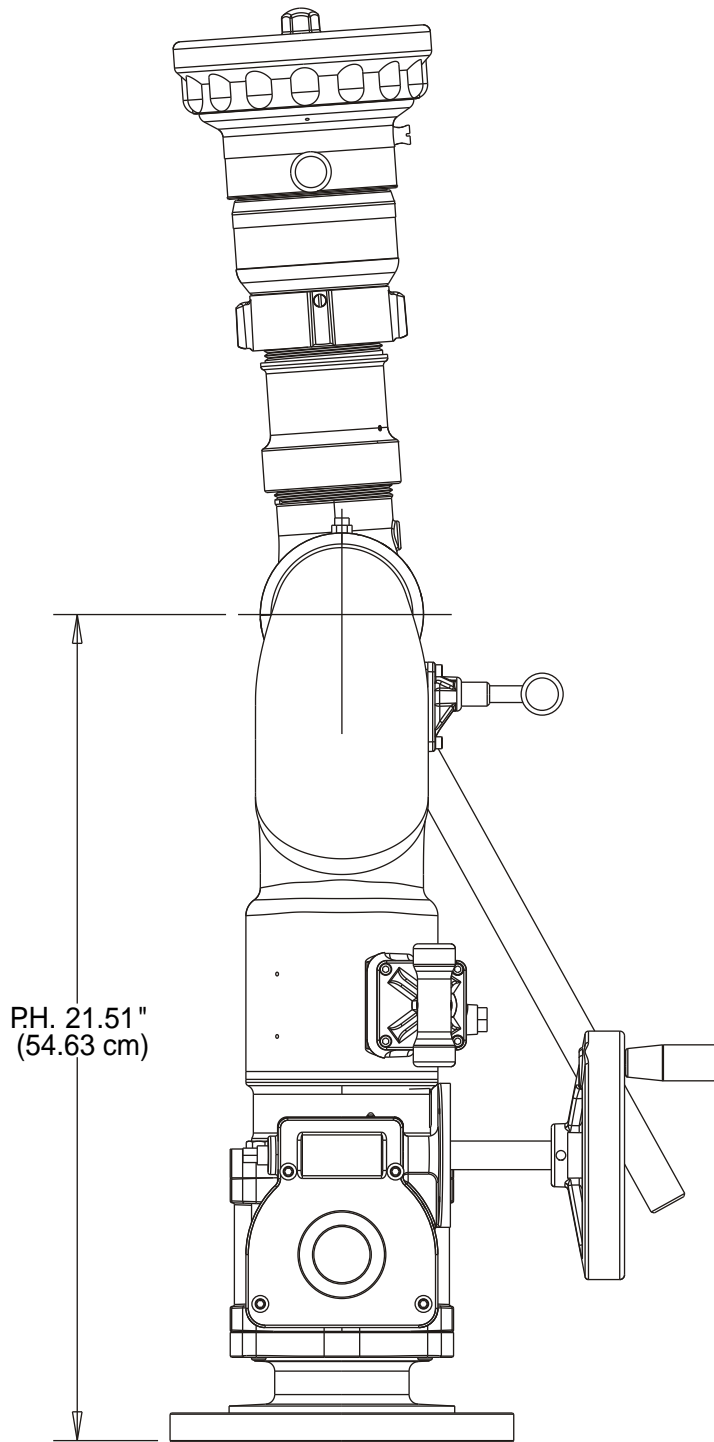
COPPERHEAD 8593-IV
PAGE 2 OF 5
12/2008

BACK VIEW
DIMENSIONAL

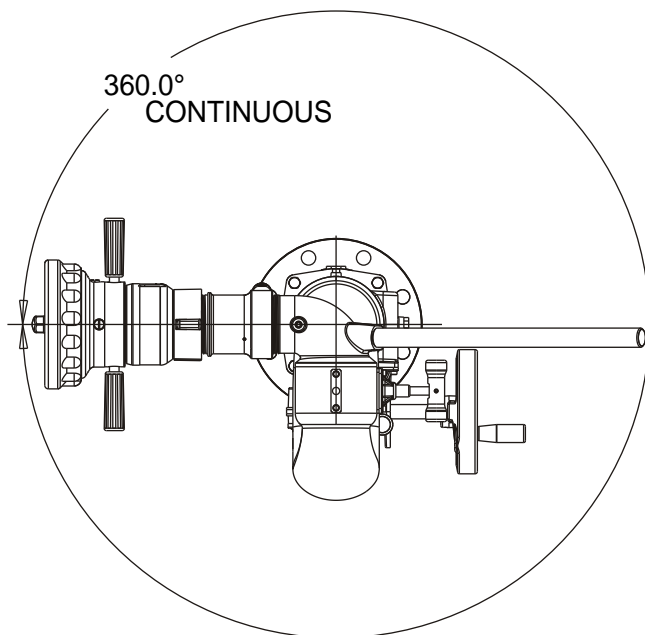
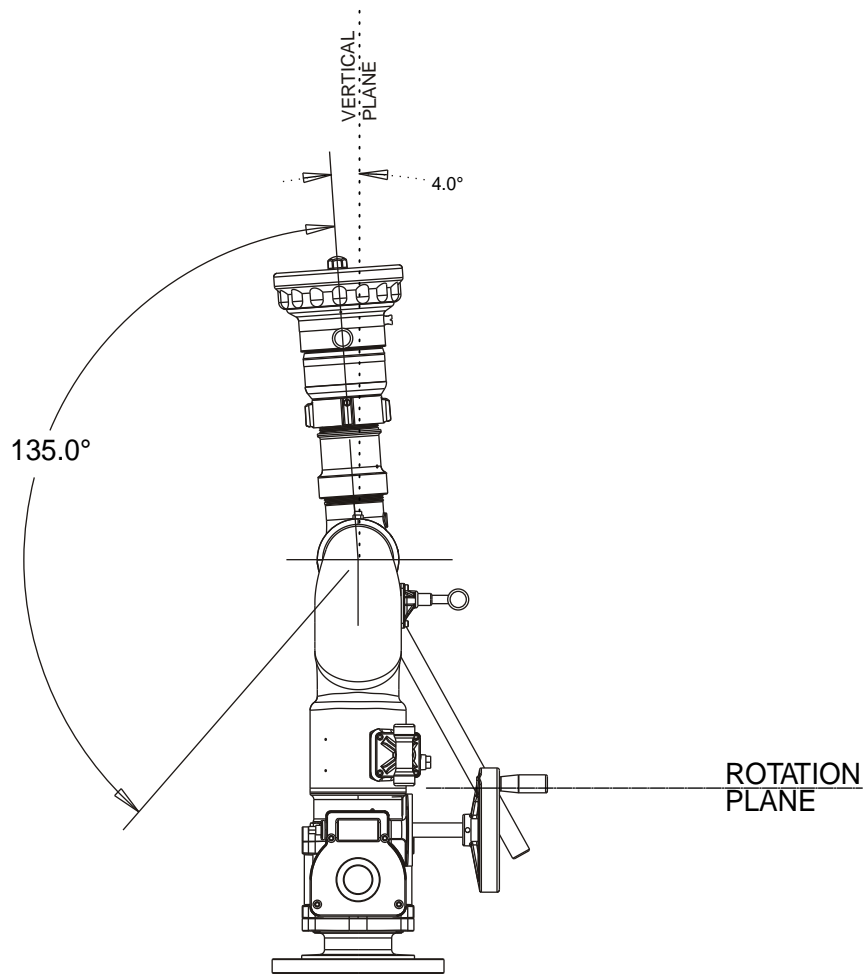



*TYPICAL - SEE INDIVIDUAL NOZZLE DRAWINGS

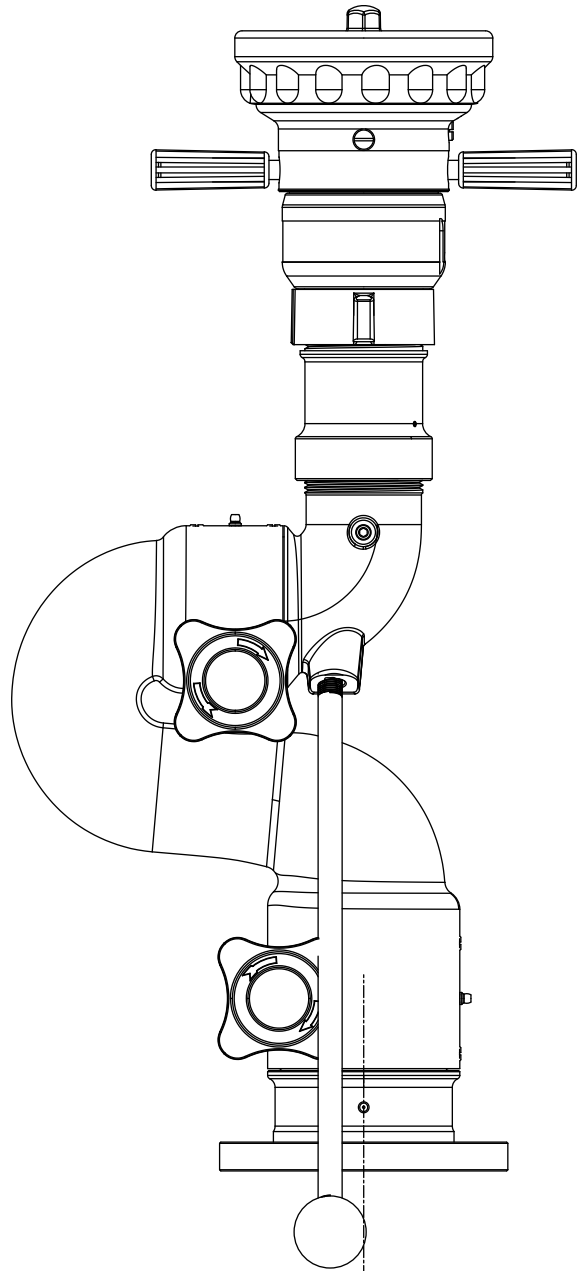
	ELKHART BRASS MFG. CO., INC. ELKHART, INDIANA	
	<small>THIS DRAWING CONTAINS INFORMATION THAT IS PROPRIETARY TO ELKHART BRASS MFG. CO., INC. AND MAY NOT BE USED TO PRODUCE ANY PARTS, ASSEMBLIES OR PRODUCTS DESCRIBED HEREIN WITHOUT EXPRESS WRITTEN PERMISSION.</small>	
COPPERHEAD 8593-IV PAGE 3 OF 5 12/2008	TOP VIEW DIMENSIONAL	



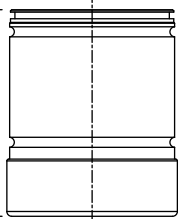
P.H. 21.51"
(54.63 cm)



 ELKHART BRASS MFG. CO., INC. ELKHART, INDIANA	
<small>THIS DRAWING CONTAINS INFORMATION THAT IS PROPRIETARY TO ELKHART BRASS MFG. CO., INC. AND MAY NOT BE USED TO PRODUCE ANY PARTS, ASSEMBLIES OR PRODUCTS DESCRIBED HEREIN WITHOUT EXPRESS WRITTEN PERMISSION.</small>	
COPPERHEAD 8593-IV PAGE 5 OF 5 12/2008	RANGE OF MOTION



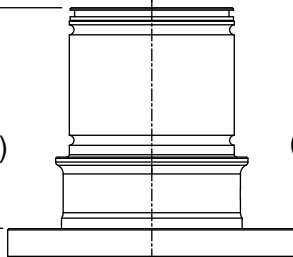
5.38"
(13.67 cm)



3" NPT

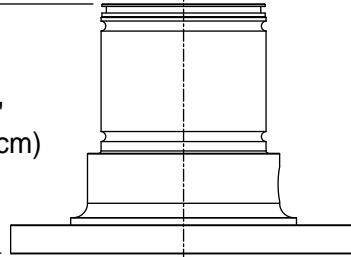
6.50"
(16.51 cm)

0.75"
(1.91 cm)



3" 150# FLANGE

6.50"
(16.51 cm)



4" 150# FLANGE

0.75"
(1.91 cm)

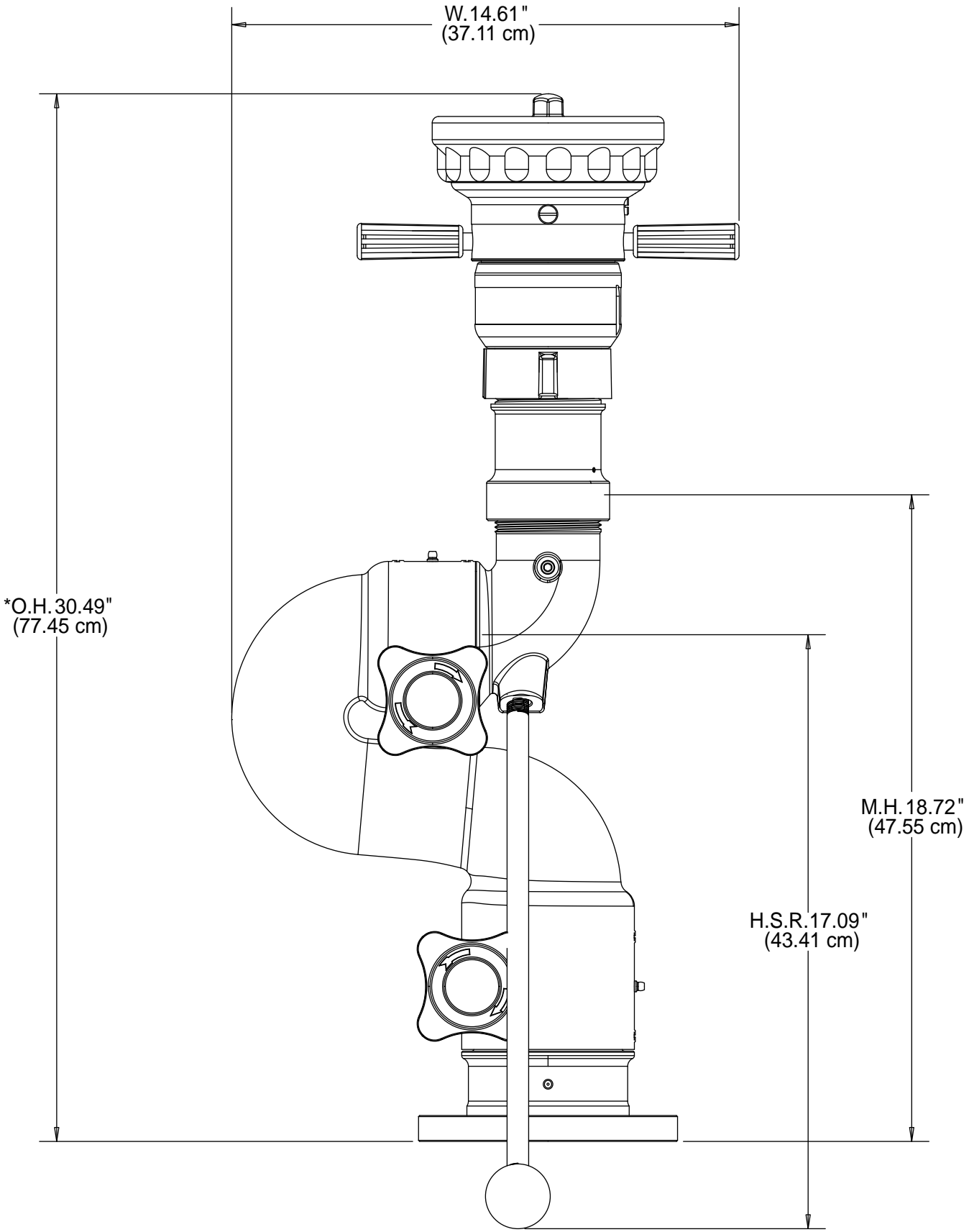


ELKHART BRASS MFG. CO., INC.
ELKHART, INDIANA


THIS DRAWING CONTAINS INFORMATION THAT IS PROPRIETARY TO ELKHART BRASS MFG. CO., INC. AND MAY NOT BE USED TO PRODUCE ANY PARTS, ASSEMBLIES OR PRODUCTS DESCRIBED HEREIN WITHOUT EXPRESS WRITTEN PERMISSION.

COPPERHEAD 8593-02
PAGE 1 OF 5
12/2007

BASE
DIMENSIONAL



*TYPICAL - SEE INDIVIDUAL NOZZLE DRAWINGS

	<p>ELKHART BRASS MFG. CO., INC. ELKHART, INDIANA</p>
<p>THIS DRAWING CONTAINS INFORMATION THAT IS PROPRIETARY TO ELKHART BRASS MFG. CO., INC. AND MAY NOT BE USED TO PRODUCE ANY PARTS, ASSEMBLIES OR PRODUCTS DESCRIBED HEREIN WITHOUT EXPRESS WRITTEN PERMISSION.</p>	
<p>COPPERHEAD 8593-02 PAGE 2 OF 5 12/2007</p>	<p>BACK VIEW DIMENSIONAL</p>

*O.D.L. 15.83"
(40.21 cm)

M.D.L. 4.05"
(10.29 cm)

R.17.16"
(43.59 cm)

*TYPICAL - SEE INDIVIDUAL NOZZLE DRAWINGS

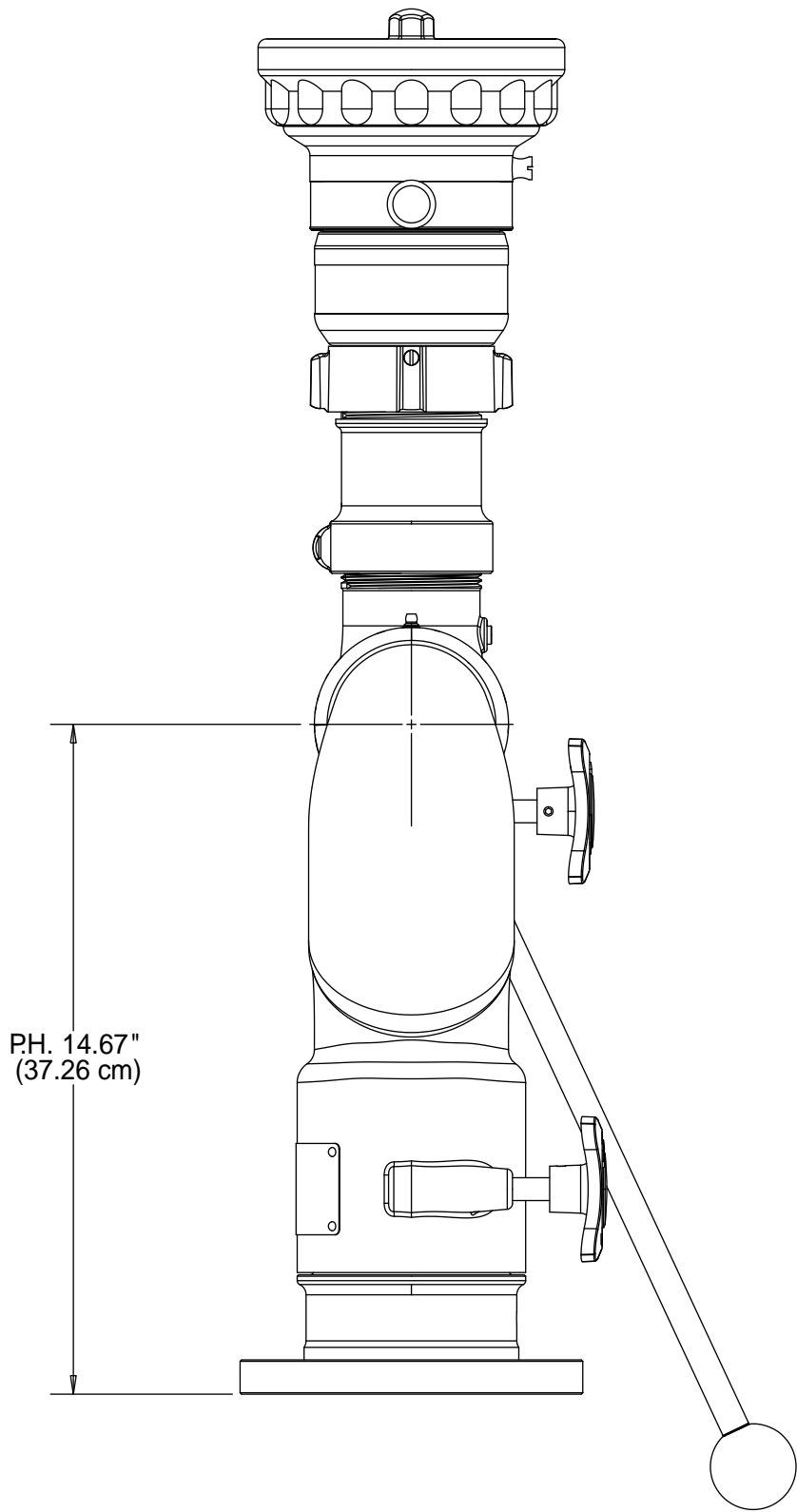



ELKHART BRASS MFG. CO., INC.
ELKHART, INDIANA

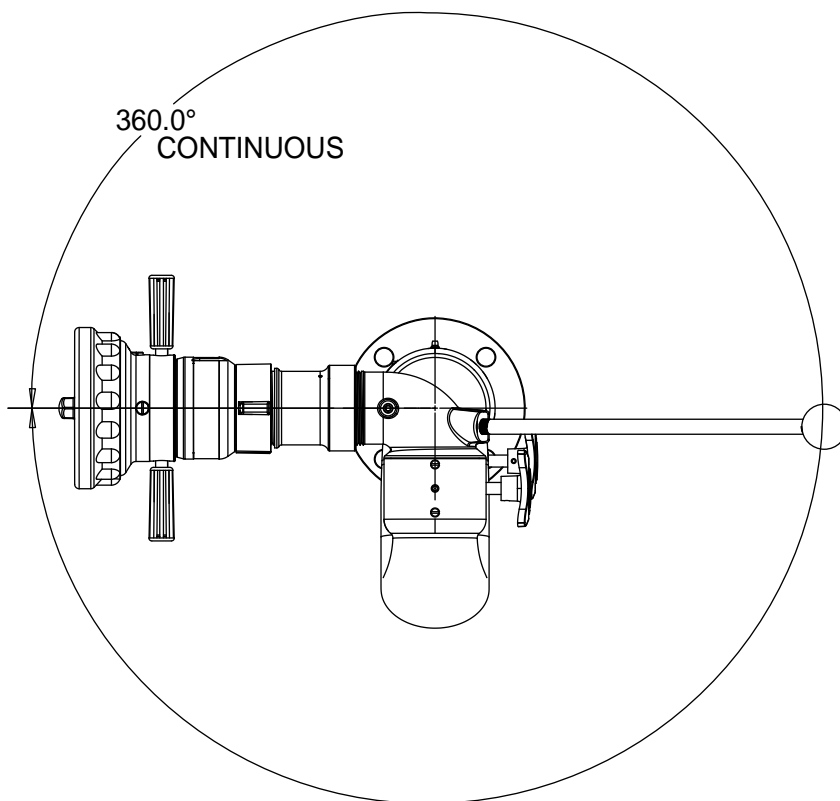
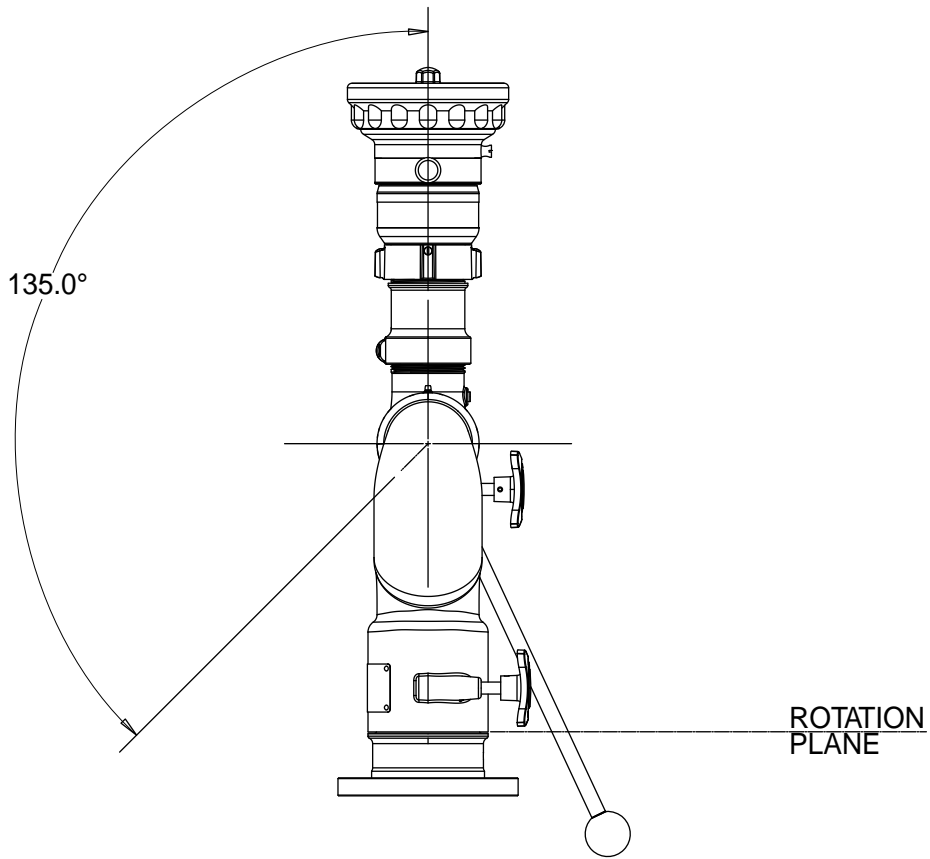
THIS DRAWING CONTAINS INFORMATION THAT IS
PROPRIETARY TO ELKHART BRASS MFG. CO., INC.
AND MAY NOT BE USED TO PRODUCE ANY PARTS,
ASSEMBLIES OR PRODUCTS DESCRIBED HEREIN
WITHOUT EXPRESS WRITTEN PERMISSION.


COPPERHEAD 8593-02
PAGE 3 OF 5
12/2007

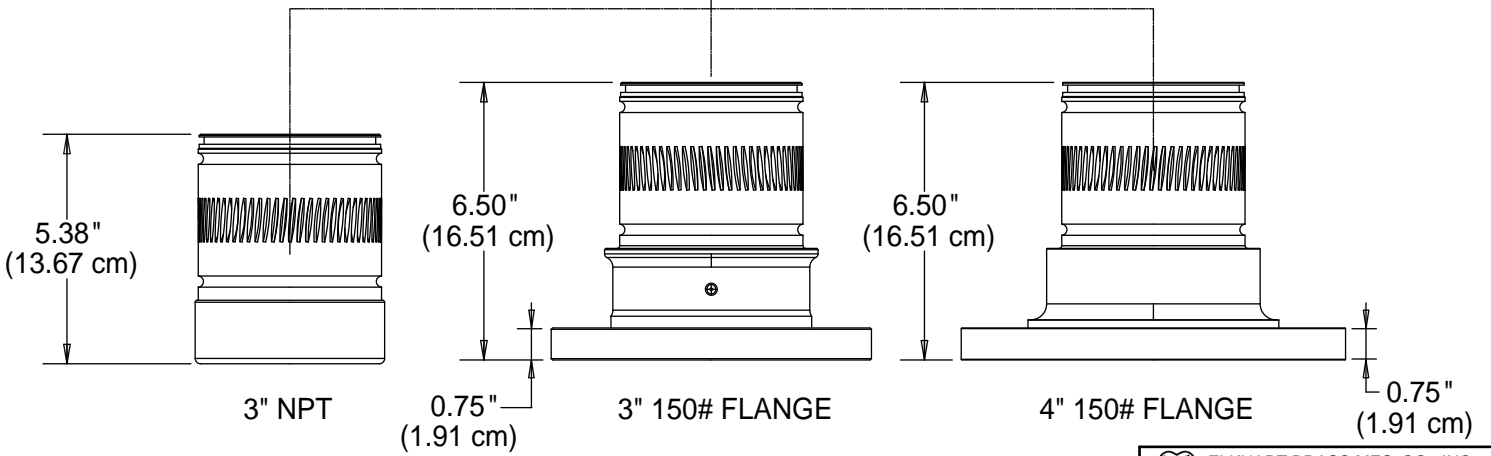
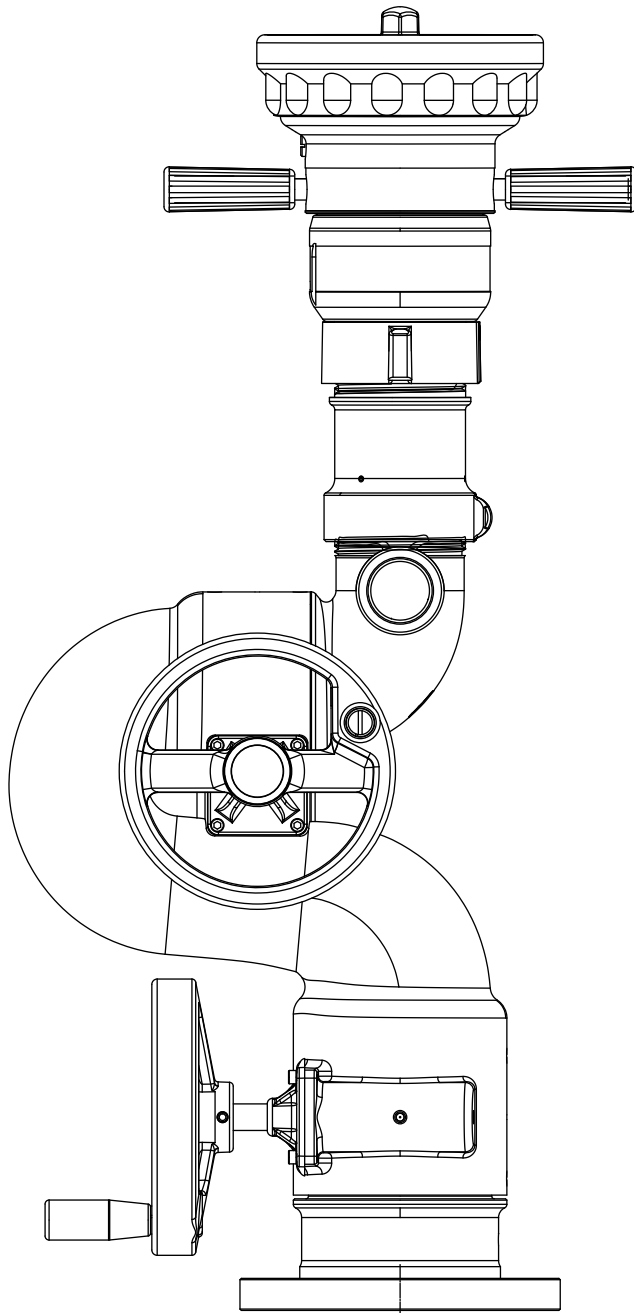
TOP VIEW
DIMENSIONAL




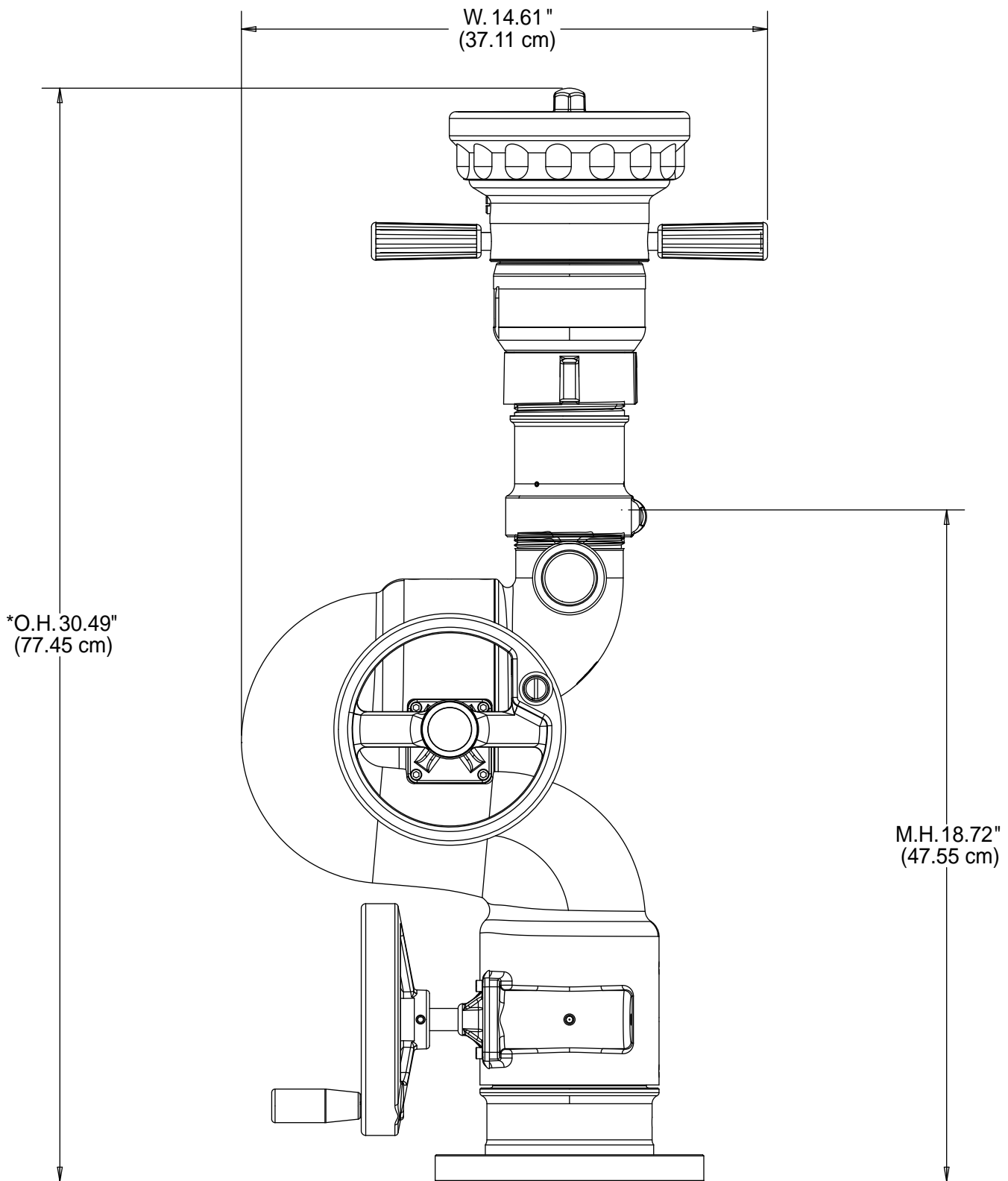
	ELKHART BRASS MFG. CO., INC. ELKHART, INDIANA
THIS DRAWING CONTAINS INFORMATION THAT IS PROPRIETARY TO ELKHART BRASS MFG. CO., INC. AND MAY NOT BE USED TO PRODUCE ANY PARTS, ASSEMBLIES OR PRODUCTS DESCRIBED HEREIN WITHOUT EXPRESS WRITTEN PERMISSION.	
COPPERHEAD 8593-02 PAGE 4 OF 5 12/2007	SIDE VIEW DIMENSIONAL



 ELKHART BRASS MFG. CO., INC. ELKHART, INDIANA	
<small>THIS DRAWING CONTAINS INFORMATION THAT IS PROPRIETARY TO ELKHART BRASS MFG. CO., INC. AND MAY NOT BE USED TO PRODUCE ANY PARTS, ASSEMBLIES OR PRODUCTS DESCRIBED HEREIN WITHOUT EXPRESS WRITTEN PERMISSION.</small>	
COPPERHEAD 8593-02 PAGE 5 OF 5 12/2007	RANGE OF MOTION

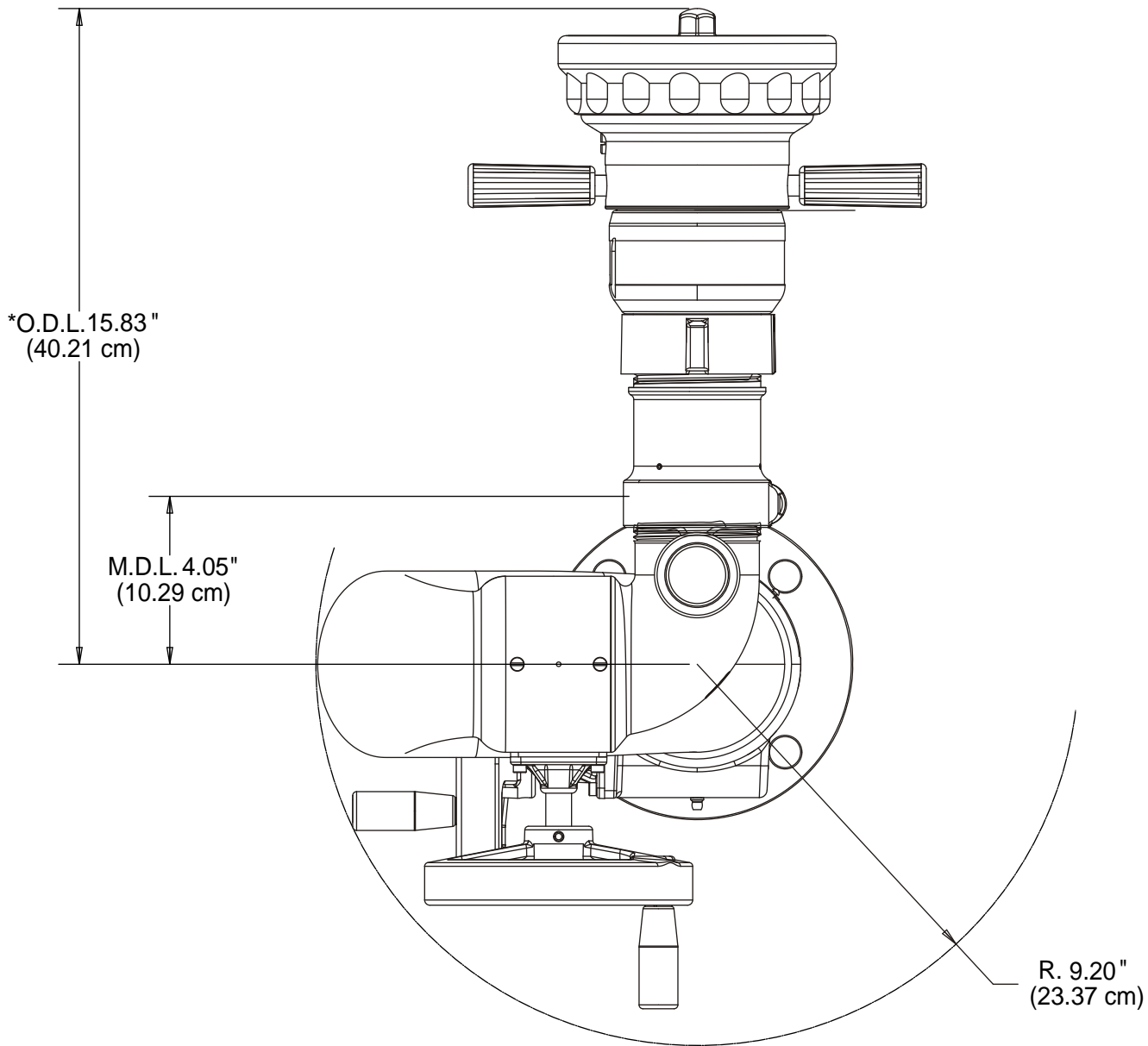


 ELKHART BRASS MFG. CO., INC. ELKHART, INDIANA	
THIS DRAWING CONTAINS INFORMATION THAT IS PROPRIETARY TO ELKHART BRASS MFG. CO., INC. AND MAY NOT BE USED TO PRODUCE ANY PARTS, ASSEMBLIES OR PRODUCTS DESCRIBED HEREIN WITHOUT EXPRESS WRITTEN PERMISSION.	
COPPERHEAD 8593-03/294-11rev06 PAGE 1 OF 5 12/2007	BASE DIMENSIONAL



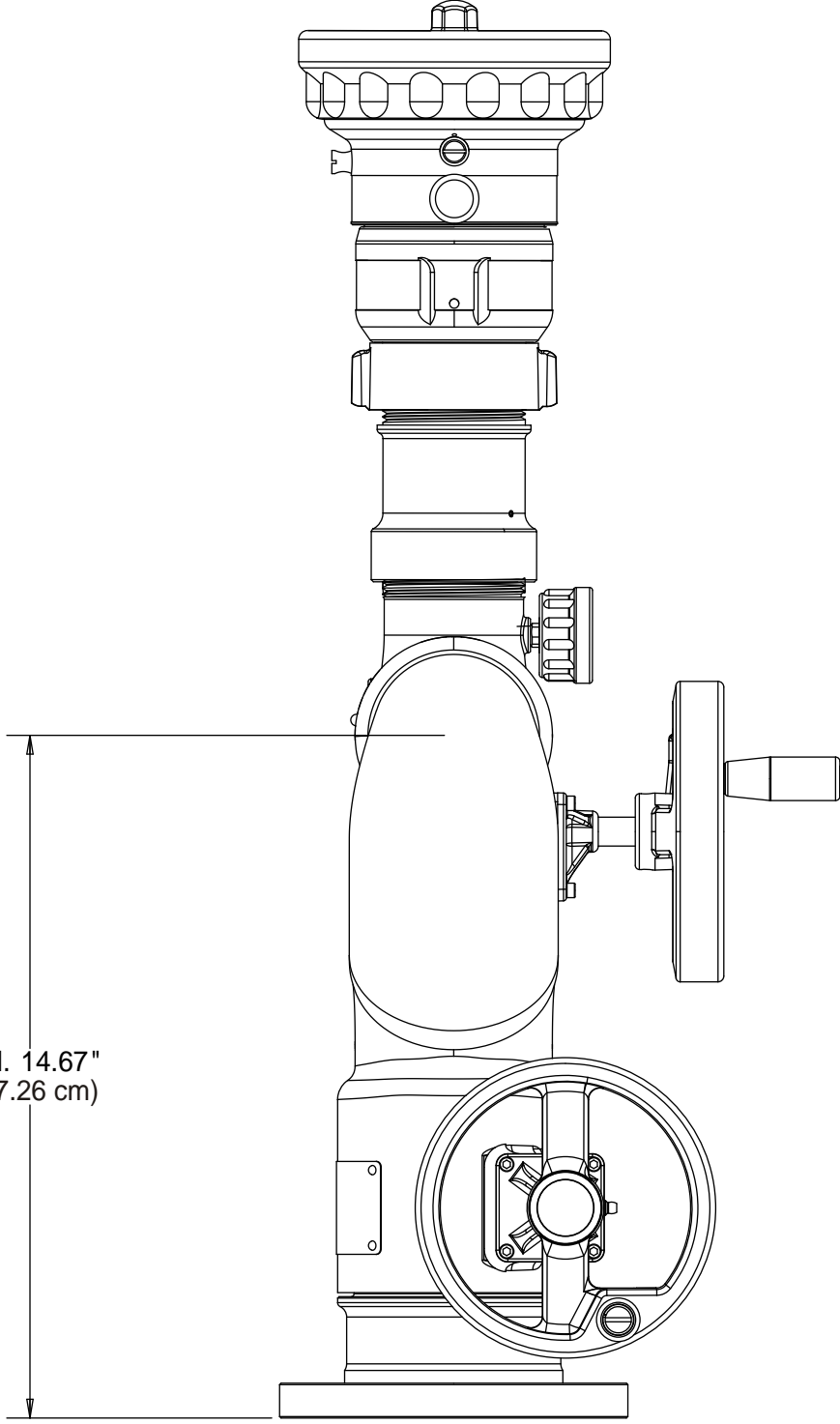
*TYPICAL - SEE INDIVIDUAL NOZZLE DRAWINGS

	ELKHART BRASS MFG. CO., INC. ELKHART, INDIANA
THIS DRAWING CONTAINS INFORMATION THAT IS PROPRIETARY TO ELKHART BRASS MFG. CO., INC. AND MAY NOT BE USED TO PRODUCE ANY PARTS, ASSEMBLIES OR PRODUCTS DESCRIBED HEREIN WITHOUT EXPRESS WRITTEN PERMISSION.	
COPPERHEAD 8593-03/294-11rev06 PAGE 2 OF 5 12/2007	BACK VIEW DIMENSIONAL



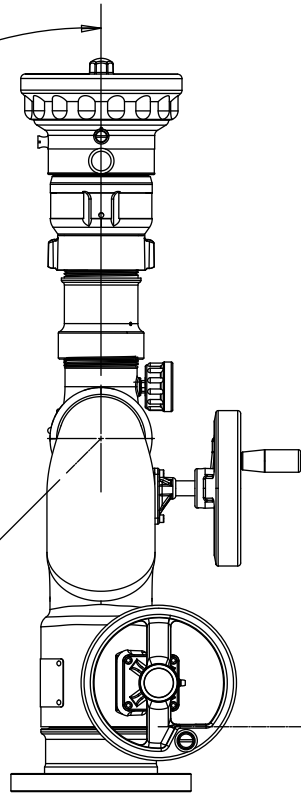
*TYPICAL - SEE INDIVIDUAL NOZZLE DRAWINGS

	ELKHART BRASS MFG. CO., INC. ELKHART, INDIANA
<small>THIS DRAWING CONTAINS INFORMATION THAT IS PROPRIETARY TO ELKHART BRASS MFG. CO., INC. AND MAY NOT BE USED TO PRODUCE ANY PARTS, ASSEMBLIES OR PRODUCTS DESCRIBED HEREIN WITHOUT EXPRESS WRITTEN PERMISSION.</small>	
<small>COPPERHEAD 8593-03/294-11rev06 PAGE 3 OF 5 12/2007</small>	<small>TOP VIEW DIMENSIONAL</small>



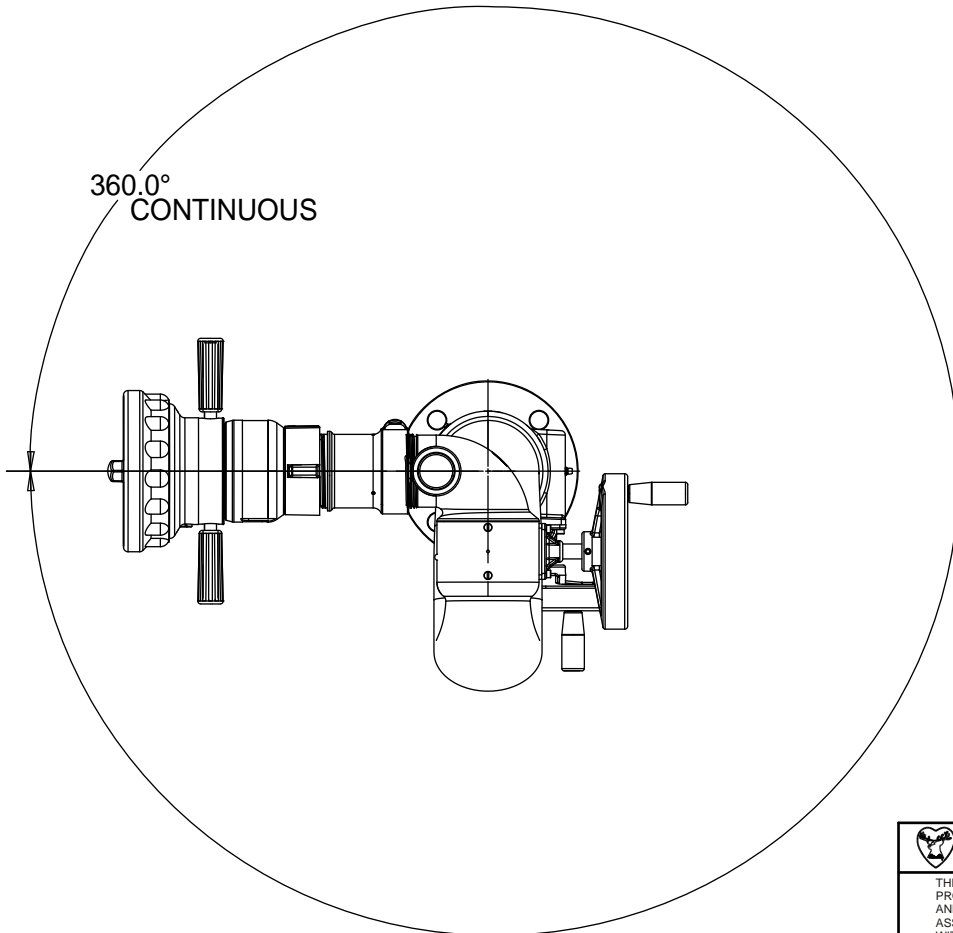
P.H. 14.67"
(37.26 cm)

135.0°



ROTATION
PLANE

360.0°
CONTINUOUS

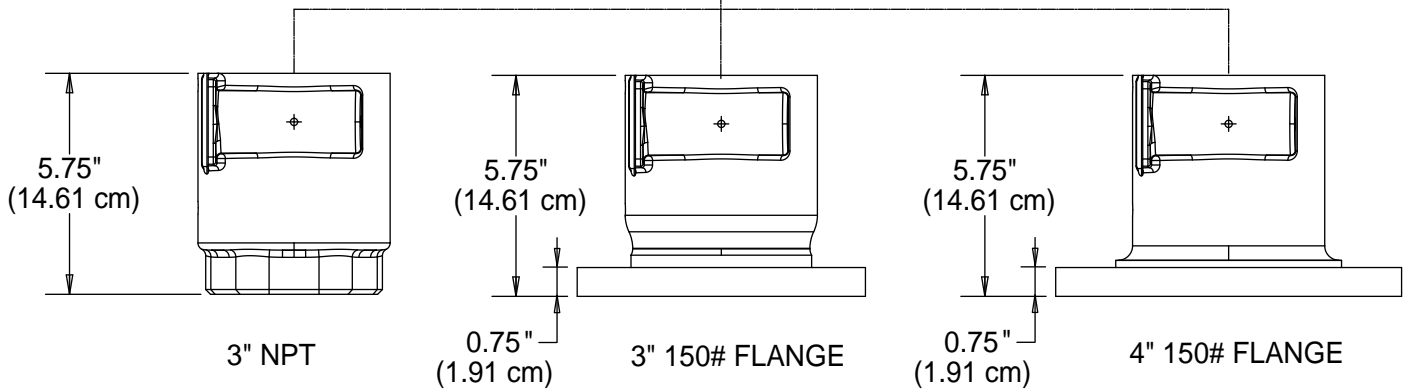
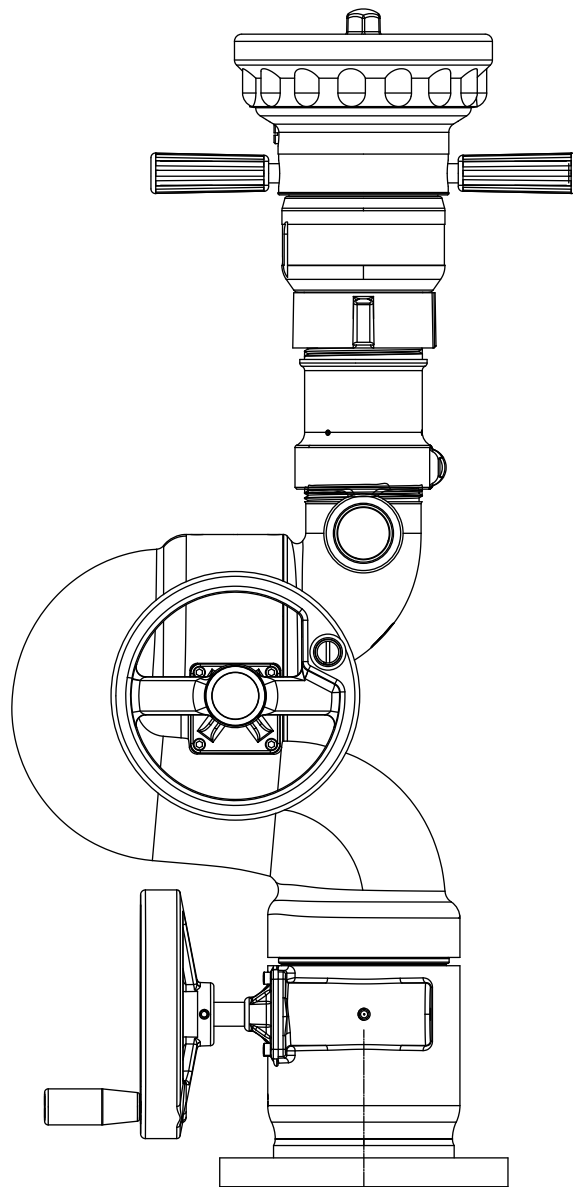



ELKHART BRASS MFG. CO., INC.
ELKHART, INDIANA

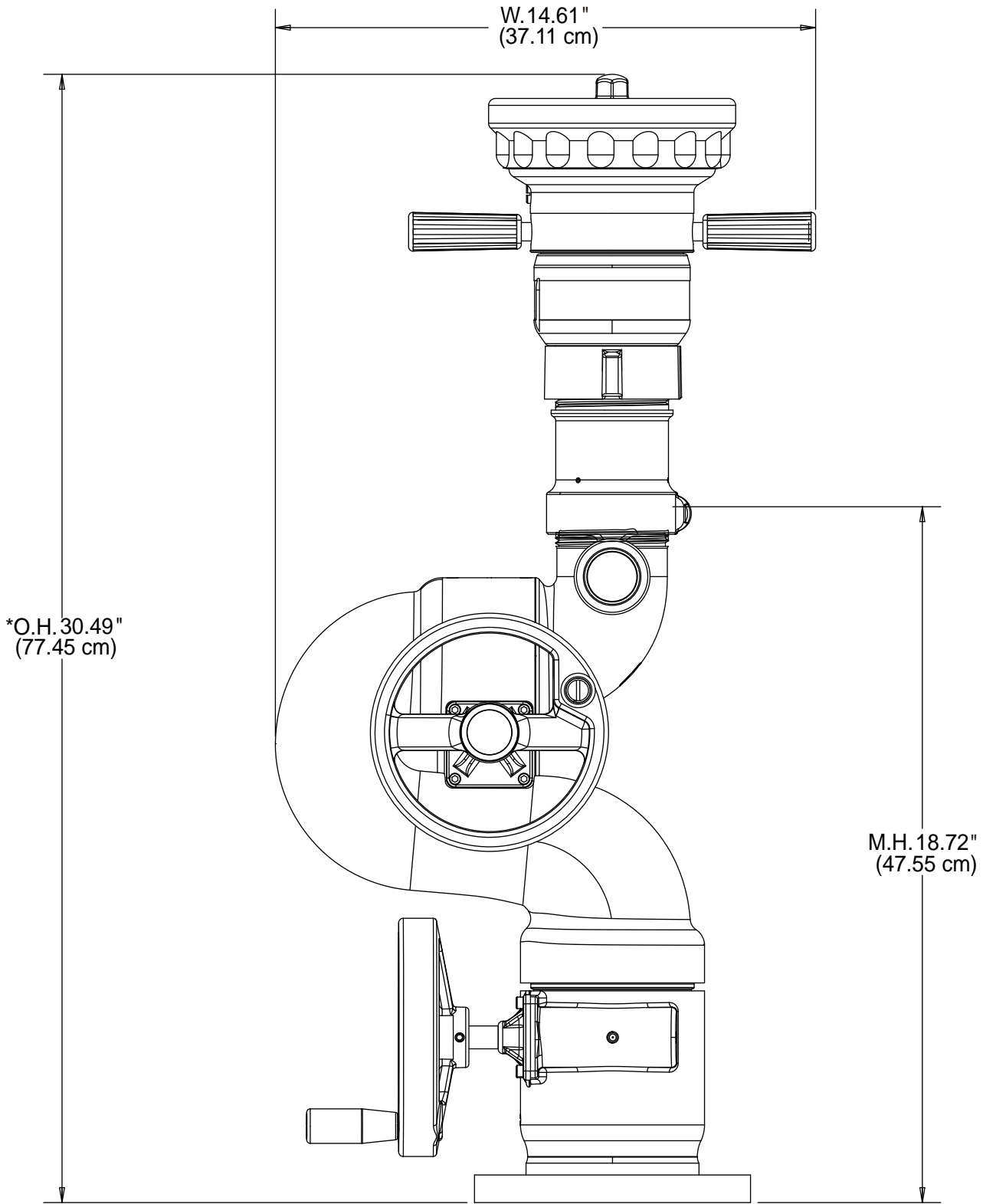
THIS DRAWING CONTAINS INFORMATION THAT IS
PROPRIETARY TO ELKHART BRASS MFG. CO., INC.
AND MAY NOT BE USED TO PRODUCE ANY PARTS,
ASSEMBLIES OR PRODUCTS DESCRIBED HEREIN
WITHOUT EXPRESS WRITTEN PERMISSION.

COPPERHEAD 8593-03/294-11rev06
PAGE 5 OF 5
12/2007


RANGE OF
MOTION

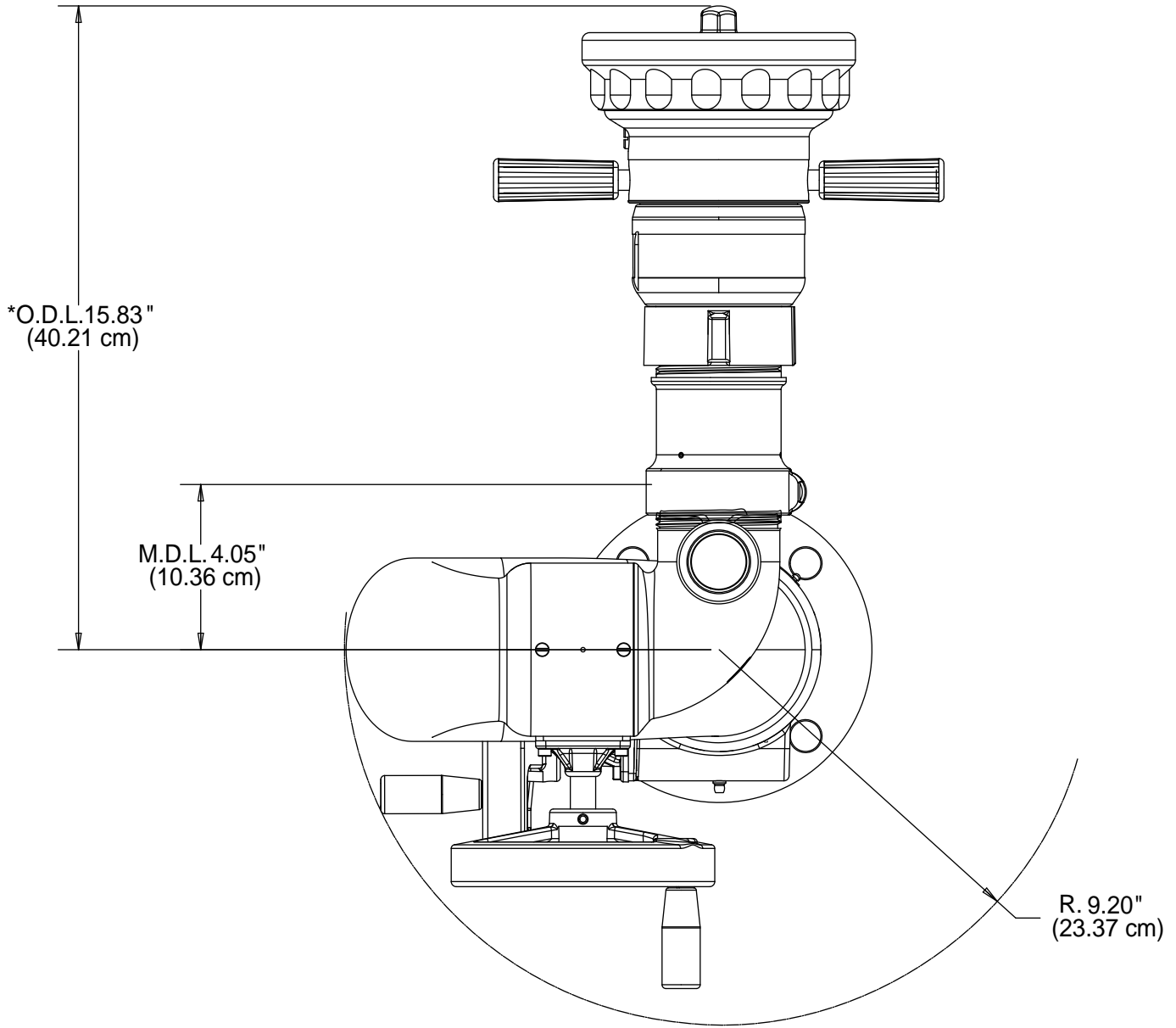


 ELKHART BRASS MFG. CO., INC. ELKHART, INDIANA	
<small>THIS DRAWING CONTAINS INFORMATION THAT IS PROPRIETARY TO ELKHART BRASS MFG. CO., INC. AND MAY NOT BE USED TO PRODUCE ANY PARTS, ASSEMBLIES OR PRODUCTS DESCRIBED HEREIN WITHOUT EXPRESS WRITTEN PERMISSION.</small>	
<small>COPPERHEAD 8593-03X/294-11rev/06X</small> <small>PAGE 1 OF 5</small> <small>12/2007</small>	<small>BASE</small> <small>DIMENSIONAL</small>



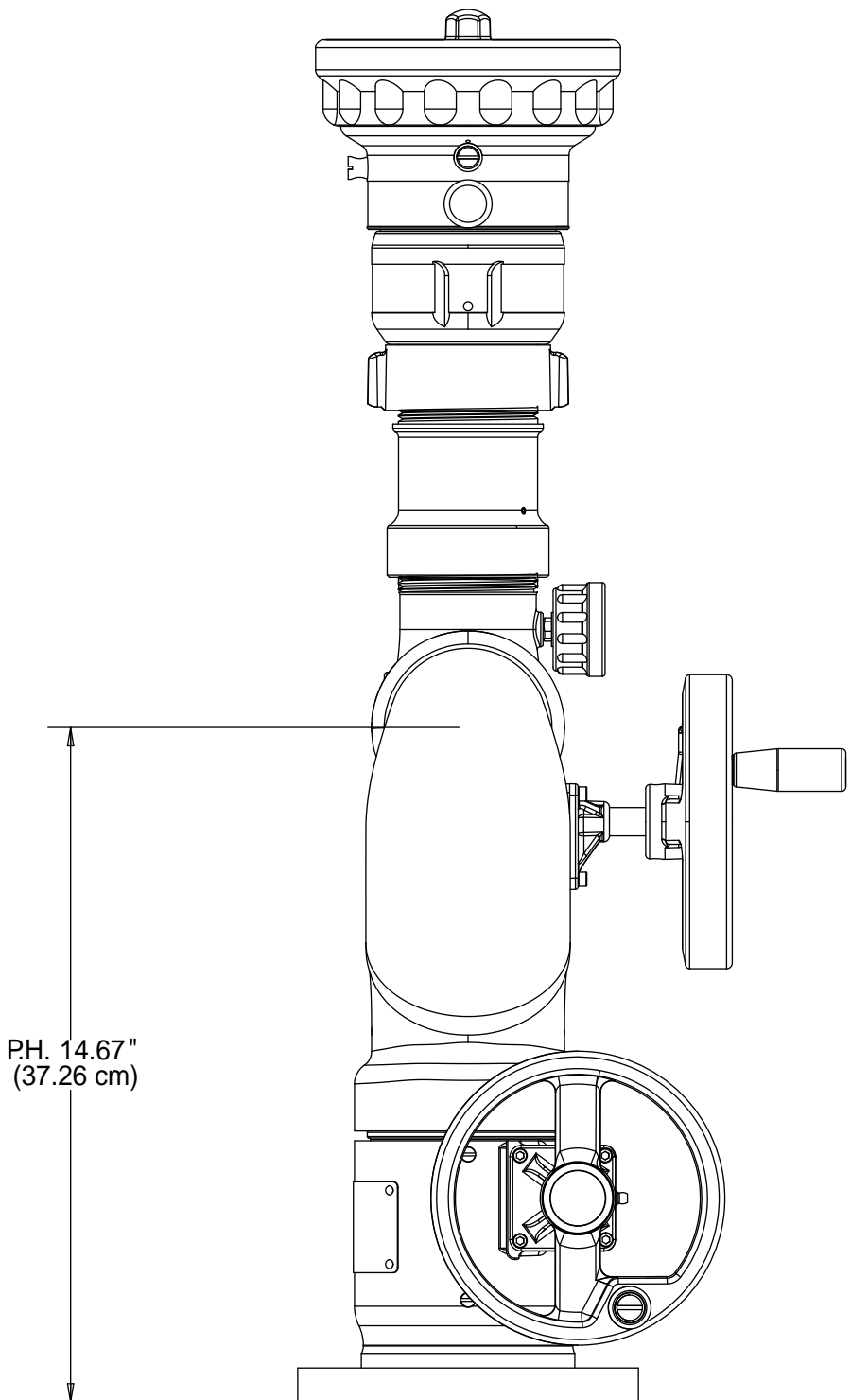
*TYPICAL - SEE INDIVIDUAL NOZZLE DRAWINGS


	<p>ELKHART BRASS MFG. CO., INC. ELKHART, INDIANA</p>
<p>THIS DRAWING CONTAINS INFORMATION THAT IS PROPRIETARY TO ELKHART BRASS MFG. CO., INC. AND MAY NOT BE USED TO PRODUCE ANY PARTS, ASSEMBLIES OR PRODUCTS DESCRIBED HEREIN WITHOUT EXPRESS WRITTEN PERMISSION.</p>	
<p>COPPERHEAD 8593-03X/294-11rev06X PAGE 2 OF 5 12/2007</p>	<p>BACK VIEW DIMENSIONAL</p>

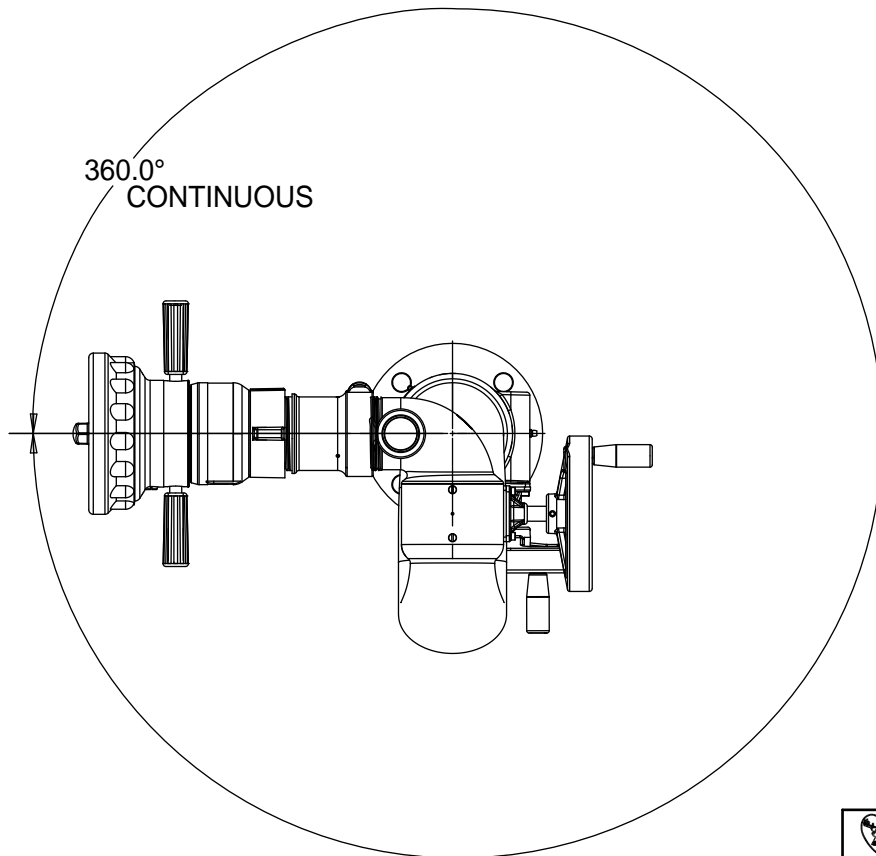
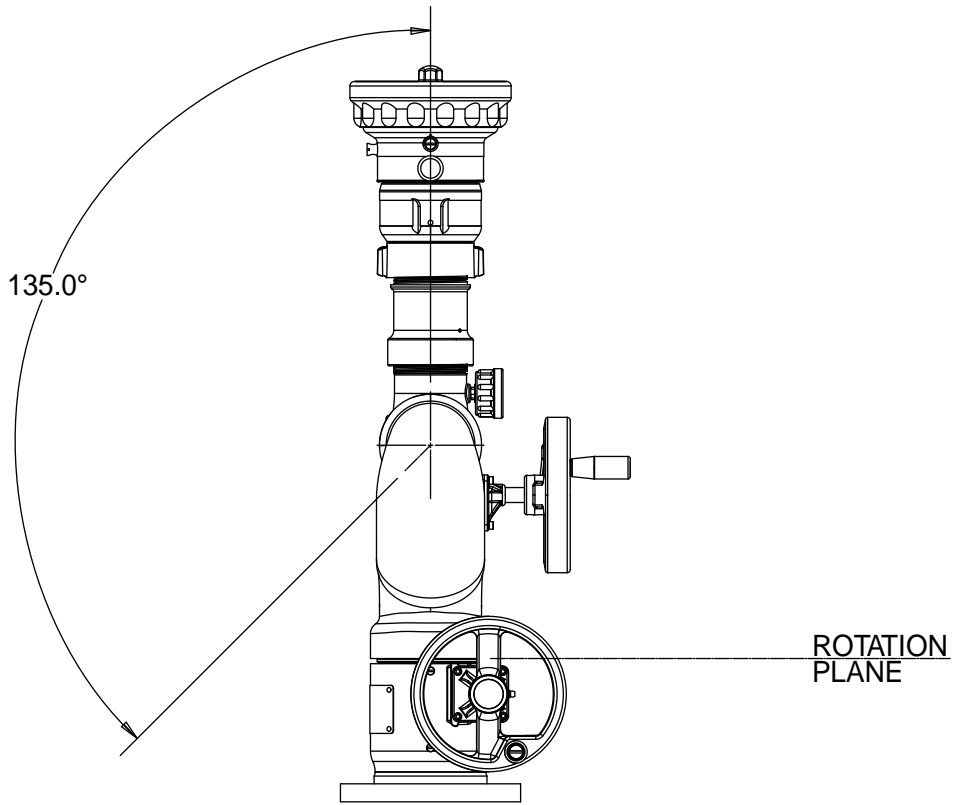


*TYPICAL - SEE INDIVIDUAL NOZZLE DRAWINGS

	ELKHART BRASS MFG. CO., INC. ELKHART, INDIANA
THIS DRAWING CONTAINS INFORMATION THAT IS PROPRIETARY TO ELKHART BRASS MFG. CO., INC. AND MAY NOT BE USED TO PRODUCE ANY PARTS, ASSEMBLIES OR PRODUCTS DESCRIBED HEREIN WITHOUT EXPRESS WRITTEN PERMISSION.	
COPPERHEAD 8593-03X/294-11rev/06X PAGE 3 OF 5 12/2007	TOP VIEW DIMENSIONAL



	ELKHART BRASS MFG. CO., INC. ELKHART, INDIANA
THIS DRAWING CONTAINS INFORMATION THAT IS PROPRIETARY TO ELKHART BRASS MFG. CO., INC. AND MAY NOT BE USED TO PRODUCE ANY PARTS, ASSEMBLIES OR PRODUCTS DESCRIBED HEREIN WITHOUT EXPRESS WRITTEN PERMISSION.	
COPPERHEAD 8593-03X/294-11rev/06X PAGE 4 OF 5 12/2007	SIDE VIEW DIMENSIONAL



DIMENSIONAL ABBREVIATION KEY*

ABBREVIATION	DESCRIPTION
D.L.	Discharge Length
H.H.	Handle Height
H.S.R.	Handle Swing Radius
M.D.L.	Monitor Discharge Length
M.H.	Monitor Height
O.D.L.	Overall Discharge Length
O.H.	Overall Height
O.L.	Overall Length
P.H.	Pivot Height
P.R.	Pivot Radius
R.	Radius
S.D.H.	Stow Down Height
W.	Width

*Not all abbreviations will be used on every drawing



ELKHART BRASS MFG. CO., INC.
ELKHART, INDIANA

THIS DRAWING CONTAINS INFORMATION THAT IS
PROPRIETARY TO ELKHART BRASS MFG. CO., INC.
AND MAY NOT BE USED TO PRODUCE ANY PARTS,
ASSEMBLIES OR PRODUCTS DESCRIBED HEREIN
WITHOUT EXPRESS WRITTEN PERMISSION.

DIMENSIONAL
KEY
2/2008